

**Bushing Data:**

Rated Voltage	123	kV
Phase to-earth Voltage	84	kV
Dry Lightning Impulse I, 2/50µs	450	kV
Wet Switching Impulse	300	kV
Wet Power frequency AC	170	kV
Routine test Imin dry 50Hz	185	kV
Rated Current	3150	A
Creepage Distance	2380	mm
Mass	240	kg

**Ordering Data:**

**BUSHING** COLOUR AIR INSULATOR  
 LF121052 -G / -AG BROWN / LIGHT GREY

**OUTER TERMINAL**

LF170 073-A Al	H2 (mm)	D2 (mm)
LF170 073-B Cu	125	60
LF170 073-G Cu/Ag	125	60
LF170 073-G Cu/Ag	125	60

OTHER TYPES ON REQUEST

**END-SHIELD**

LF170 046-U EPOXY INSULATED  
 LF170 046-UP INSULATED WITH 3 mm PRESSBOARD

**DRAW ROD SYSTEM**

LF170 059 LOWER DRAW ROD WITH NI=4 OR NI=6  
 LF170 057 UPPER DRAW ROD

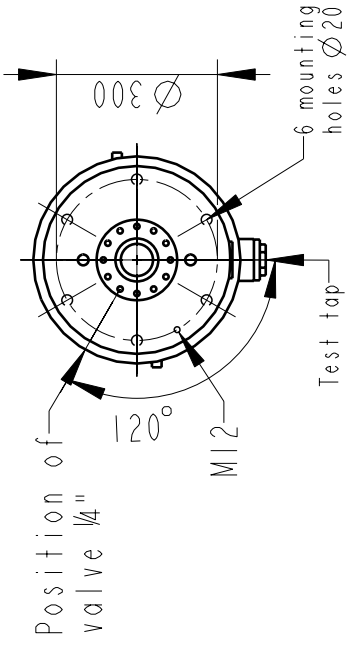
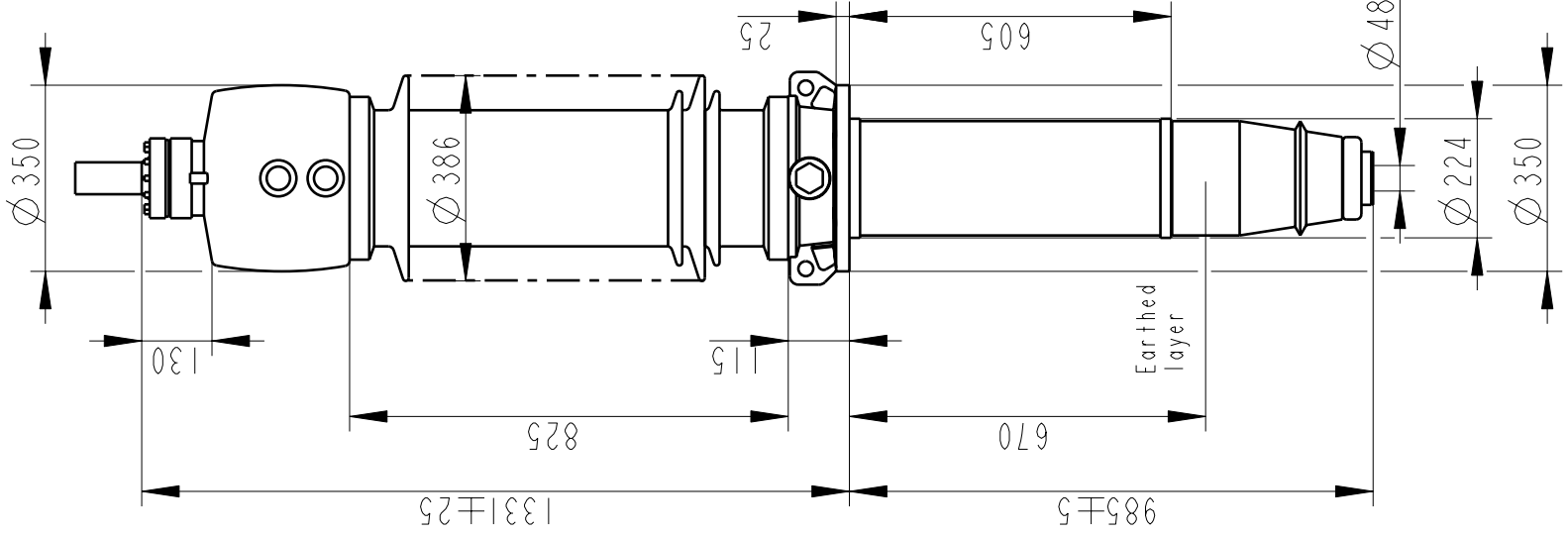
**INNER TERMINAL**

D3 (mm)	D9 (mm)	Cond. area (mm <sup>2</sup> )	Current (A)	IEEC
LF170 056-E O*)	45	-	-	-
LF170 056-D	40	45	600	1600
LF170 056-D	45	600	1600	1360

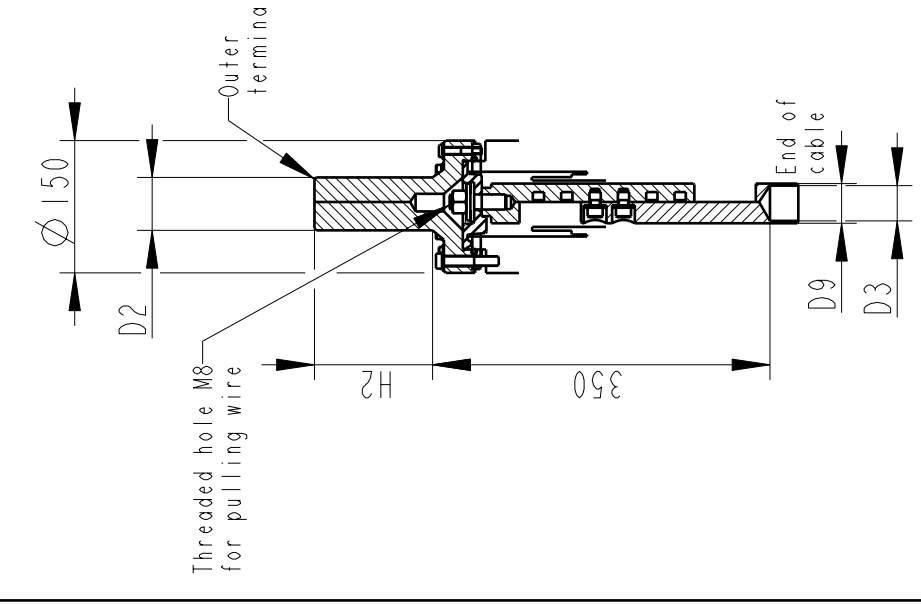
\*) WITH PILOT HOLE D=5

**ABB Components** Lutha, Sweden

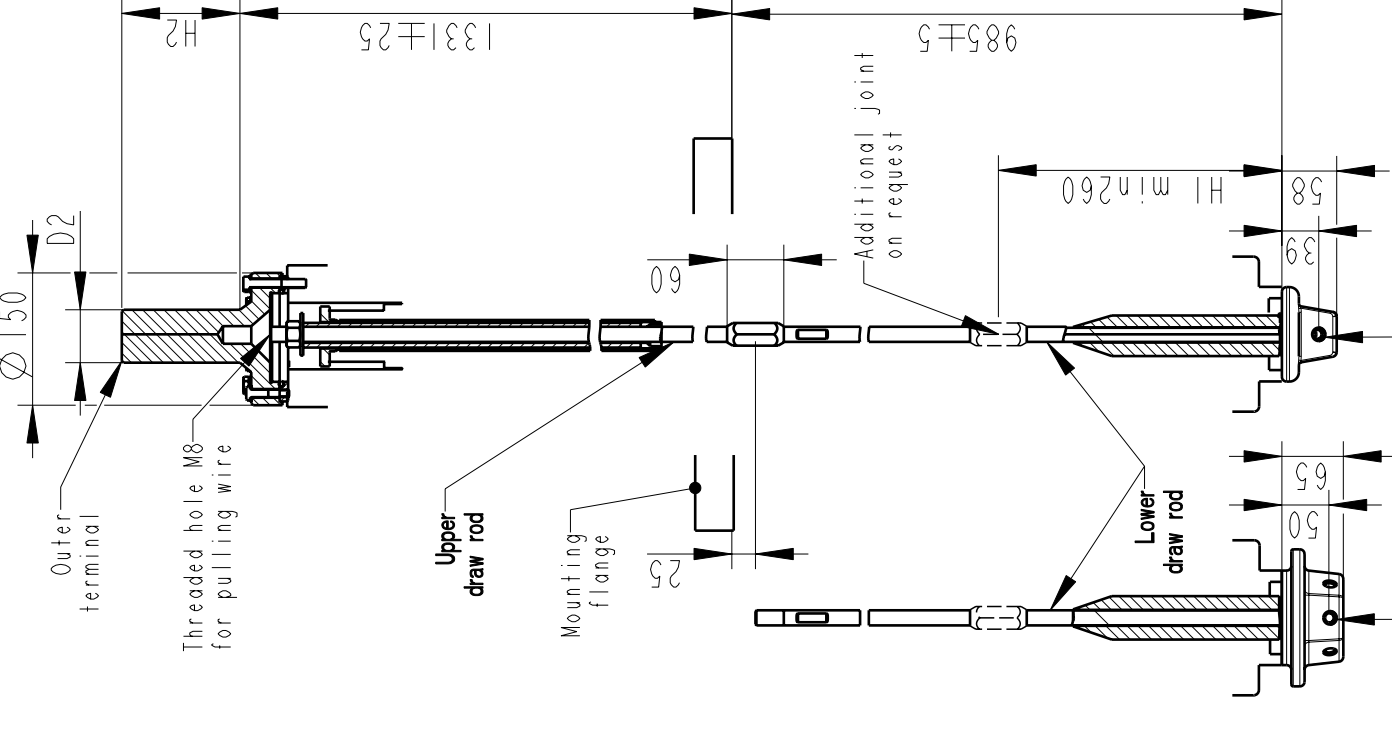
No.	kV	Hz	A	50-60	Hz
U <sub>1</sub>	kV	SI	kV	AC	kV
M	kg	L	mm	D	
C1	pf	Tanδ			
C2	pf	Tanδ			



**INNER TERMINAL / OUTER TERMINAL**



**DRAW ROD SYSTEM / OUTER TERMINAL**



NI=Number of holes M12, equipped with thread insert with screw lock, depth 20, for cable lugs.

Based on	Reg. No.	Title
Prepared	Responsible department	GOE-380-300-3150-0.6
Lövnord	COM/BK 0022	
Approved	Take over department	
Johansson	Database	
Design engineering review		
Gutman		
ABB ABB Components		Document No. 2751307-117
Language		82
Page		1(1)