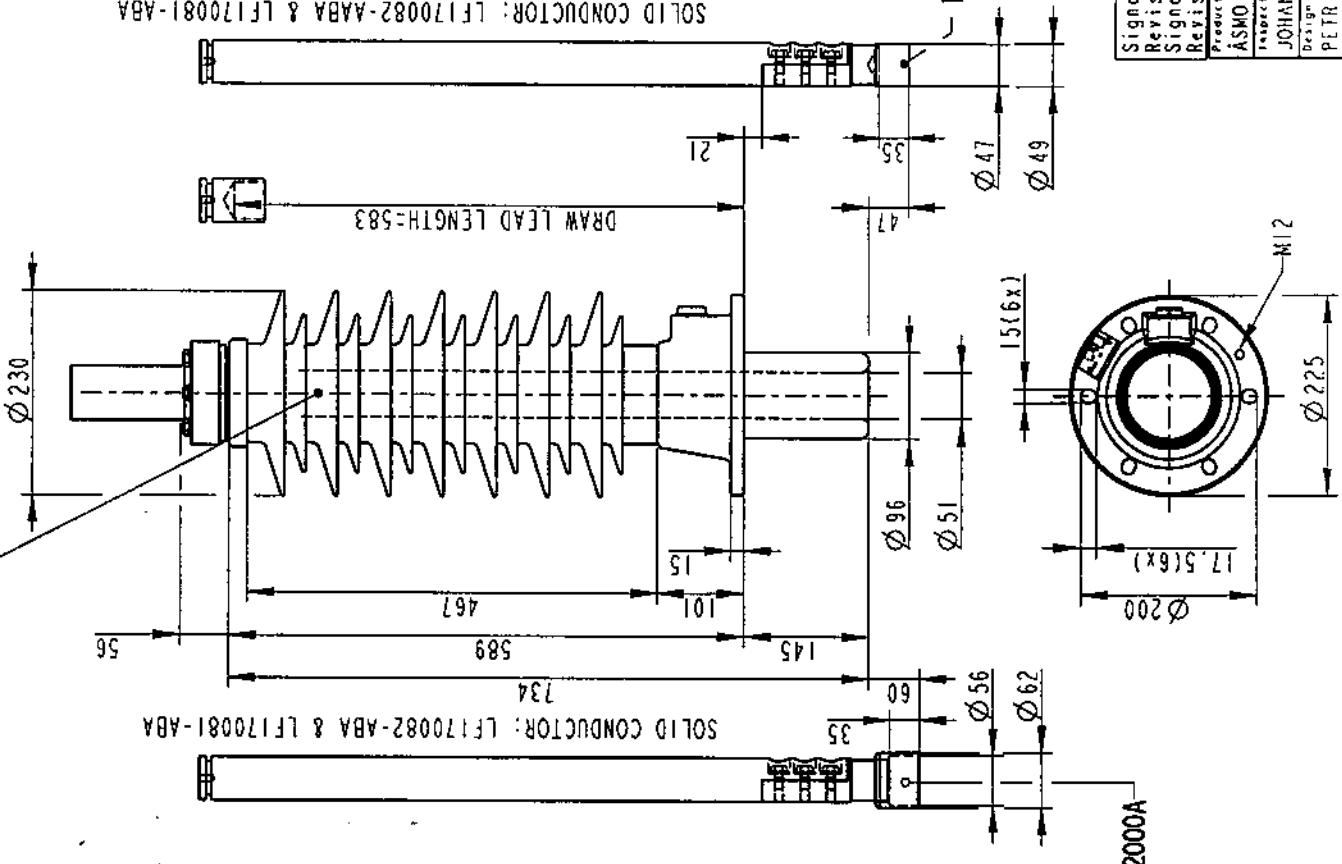
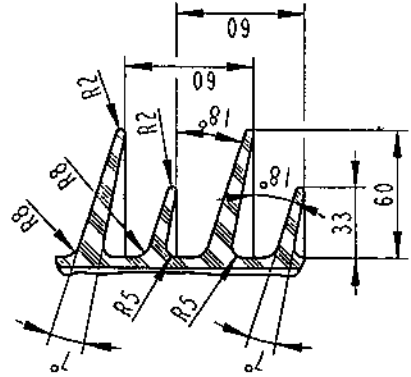
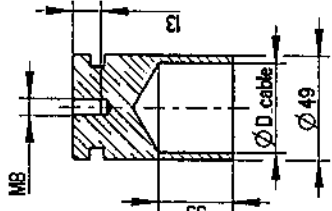


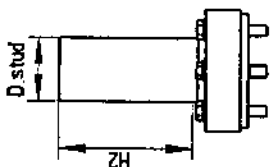
BUSHING NAME: LF130052-BA



INNER TERMINAL	
Catalogue No	D. cable
LF170080-A	5
LF170080-B	11
LF170080-C	13
LF170080-D	15
LF170080-E	18
LF170080-F	30
LF170080-G	42
LF170080-H	45



OUTER TERMINAL				
Catalogue No	MATERIAL	MASS	H2	D STUD
LF170079-A	AL	2.3	125	60
LF170079-B	AL	16	125	30
LF170079-C	CU	6.2	125	60
LF170079-D	CU	3.6	125	30
LF170079-E	CU/SN	6.2	125	60
LF170079-F	CU/SN	3.6	125	30
LF170079-G	CU/AG	6.2	125	60
LF170079-H	CU/AG	3.6	125	30



ELECTRICAL DATA, according to IEC 137

Ratings	Rated voltage	52 kV
	Max phase to earth voltage, temporary	52 kV
	Max current with Cu-conductor	2000 A
	Max current with stranded cable 740 mm ²	1000 A
	Dry lightning impulse	250 kV
	Wet power frequency	95 kV
Routine test	Dry power frequency	120 kV
Capacitance	Nominal capacitance	207 pF

GENERAL DATA, according to IEC 137

Silicone rubber insulator	Creepage distance	1642 mm
	Protected creepage distance	700 mm
Mass	Colour	GREY RAL 7035
Mass bushing		13 kg
Antilever test load, heavy load		2500 N
Max cantilever operating load, bushing		1250 N
Temp class	Temperature class	CLASS 2
Mounting and service instructions		2750 515-115

ELECTRICAL DATA according to ANSI C57.19.00

Ratings	Insulation class	46 kV
	Rated max. line to ground voltage	29 kV
	Max current with Cu-conductor	2000 A
	Max current with stranded cable 740 mm ²	1000 A

Dim. requirements acc. to C57.19.01 not fulfilled.

ABB Components Luleå, Sweden
LF30062-BA

Max 1600A

U₁ 52/52 kV / 2000 A 50/60 Hz
U₂ 250 / - / 120 V 0-90
M 13 kg L 145 mm V 0-90
C1 pf 1mD
C2 pf 1mD

CE

Signatures acc. to Revision 0 are valid	Based on	Fig. No.	11112
Signaturer enligt Revision 0 gäller	Prepared	Responsible department	OIL-AIR BUSHING
Production engineering review	Approved	Take over department	GSA52-OA/2000/0
ASMO	JACOBSSON	Database	BUSHINGS
Inspection engineering review	Revision	Document No.	2751362-ABA
JOHANSSON			
Design engineering review			
PETRICI			

Reserve all rights in this document and in the information contained therein. Reproduction, use or disclosure in third parties without express authority is strictly prohibited.