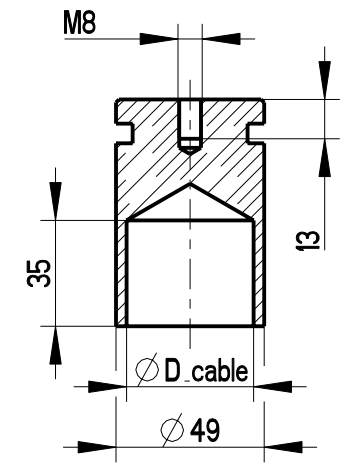


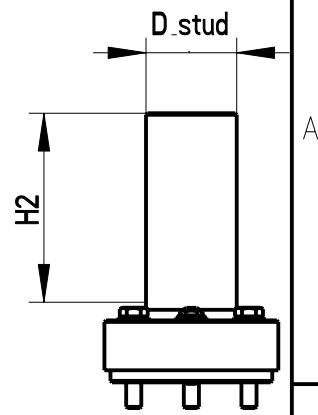
Rev	Ind	Revision	Appd	Date
1		Electrical data changed	JL	02 19

BUSHING NAME: LF130145-BA

INNER TERMINAL		
Catalogue No	D cable	MASS
LF170080-A	5	1
LF170080-B	11	1
LF170080-C	13	1
LF170080-D	15	1
LF170080-E	18	1
LF170080-F	30	1
LF170080-G	42	1
LF170080-H	45	1
LF170080-N	20	1



OUTER TERMINAL				
Catalogue No	Material	Mass	H2	Stud
LF170079-A	AL	2.3	125	60
LF170079-B	AL	1.6	125	30
LF170079-C	CU	6.2	125	60
LF170079-D	CU	3.6	125	30
LF170079-E	CU/SN	6.2	125	60
LF170079-F	CU/SN	3.6	125	30
LF170079-G	CU/AG	6.2	125	60
LF170079-H	CU/AG	3.6	125	30



We reserve all rights in this document and in the information contained therein. Reproduction, use or disclosure to third parties without express authority is strictly forbidden. ©ABB

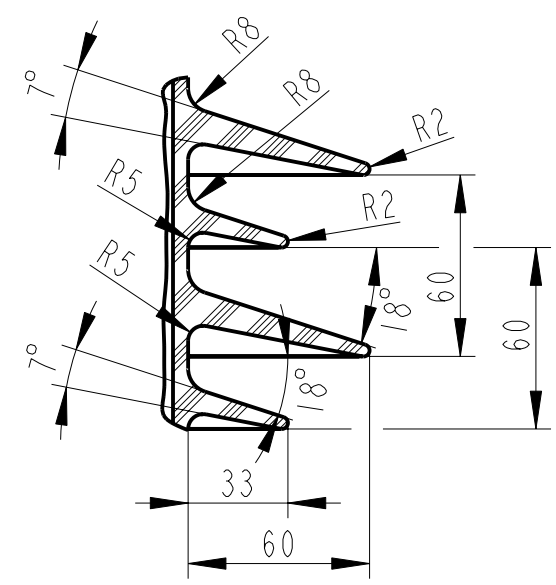
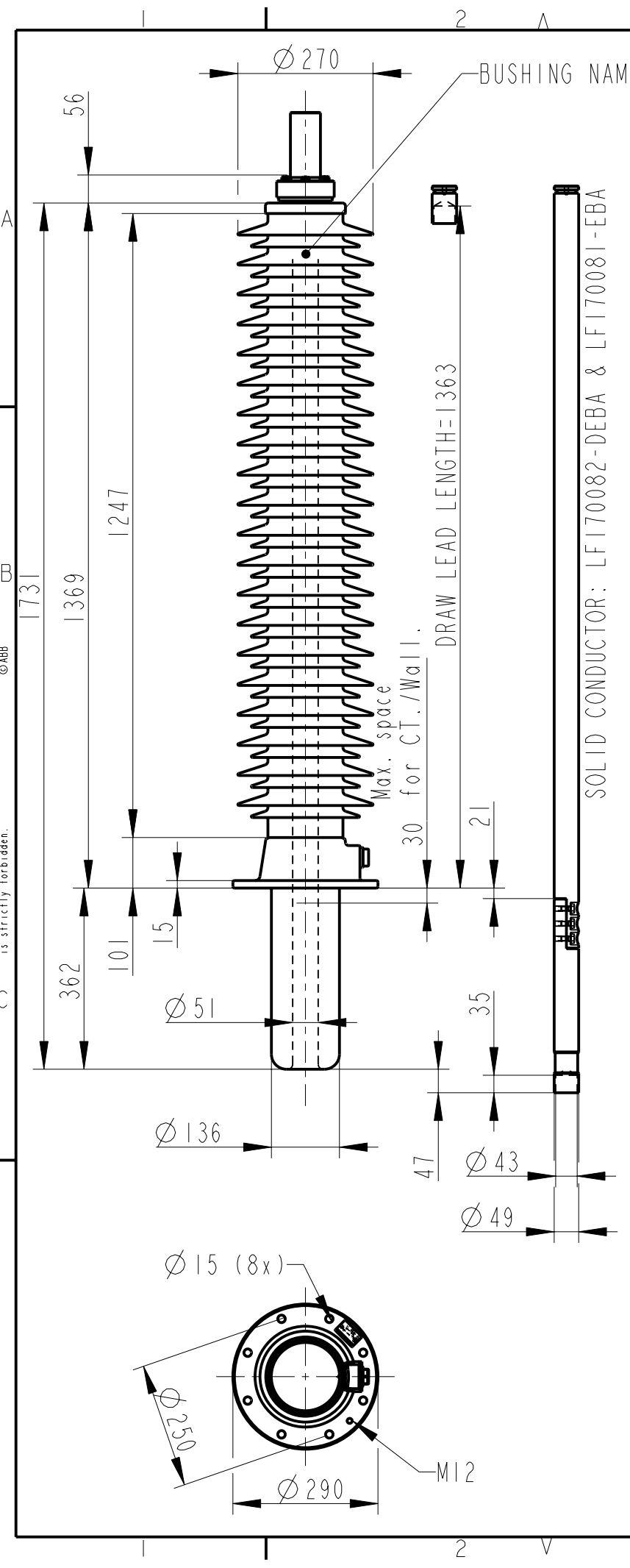
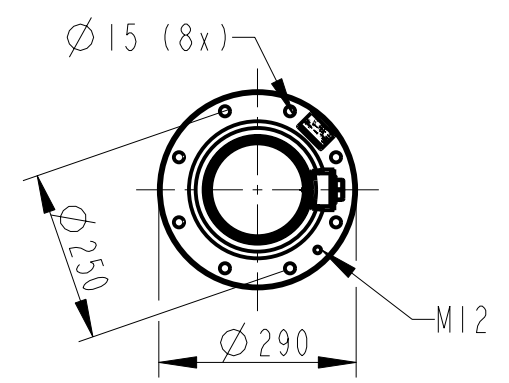


ABB PTP Components Ludvika, Sweden	
GSA145-OA/1600/0	LF130145-BA
No.	
Urby	170/170 kV tr 1600 A 50-60 Hz
LI / SI / AC	650 / - / 300 kV
M	52 kg L 362 mm V 0-90
C1	pF Tan δ z
C2	pF Tan δ z

ELECTRICAL DATA, according to IEC 137		
Ratings	Rated voltage	170 kV
	Max phase to earth voltage, temporary	170 kV
	Max current with Cu-conductor	1600 A
	Max current with stranded cable 740 mm ²	1000 A
	Dry lightning impulse	650 kV
	Wet power frequency	275 kV
Routine test	Dry power frequency	310 kV
Capacitance	Nominal capacitance	241 pF

GENERAL DATA, according to IEC 137		
Silicone rubber insulator	Creepage distance	4595 mm
	Protected creepage distance	2000 mm
	Colour	GREY RAL 7035
Mass	Mass bushing	52 kg
Cantilever load	Cantilever test load, heavy load	4000 N
	Max cantilever operating load, bushing	2000 N
Temp class	Temperature class	CLASS 2
Mounting and service instructions		2750 515-115

ELECTRICAL DATA according to ANSI C57.19.00		
Ratings	Insulation class	138 kV
	Rated max. line to ground voltage	102 kV
	Max current with Cu-conductor	1600 A
	Max current with stranded cable 740 mm ²	1000 A
Dim. requirements acc. to C57.19.01 not fulfilled.		



Signatures acc. to Revision 0 are valid
Signaturer enligt Revision 0 gäller

Production engineering review ÅSMO	Approved H. JOHANSSON
Inspection engineering review K-E ANDERSSON	Revision
Design engineering review F. STÄHLE	

Based on	Reg. No.	Title OIL-AIR BUSHING GSA145-OA/1600/0	Language 82
Prepared P. SJÖBERG	Responsible department COM/BK 00 24		
Approved H. JOHANSSON	Take over department	Page 1(1)	Document No. 2751362-EBA
Inspection engineering review K-E ANDERSSON	Database		
Design engineering review F. STÄHLE	ABB		