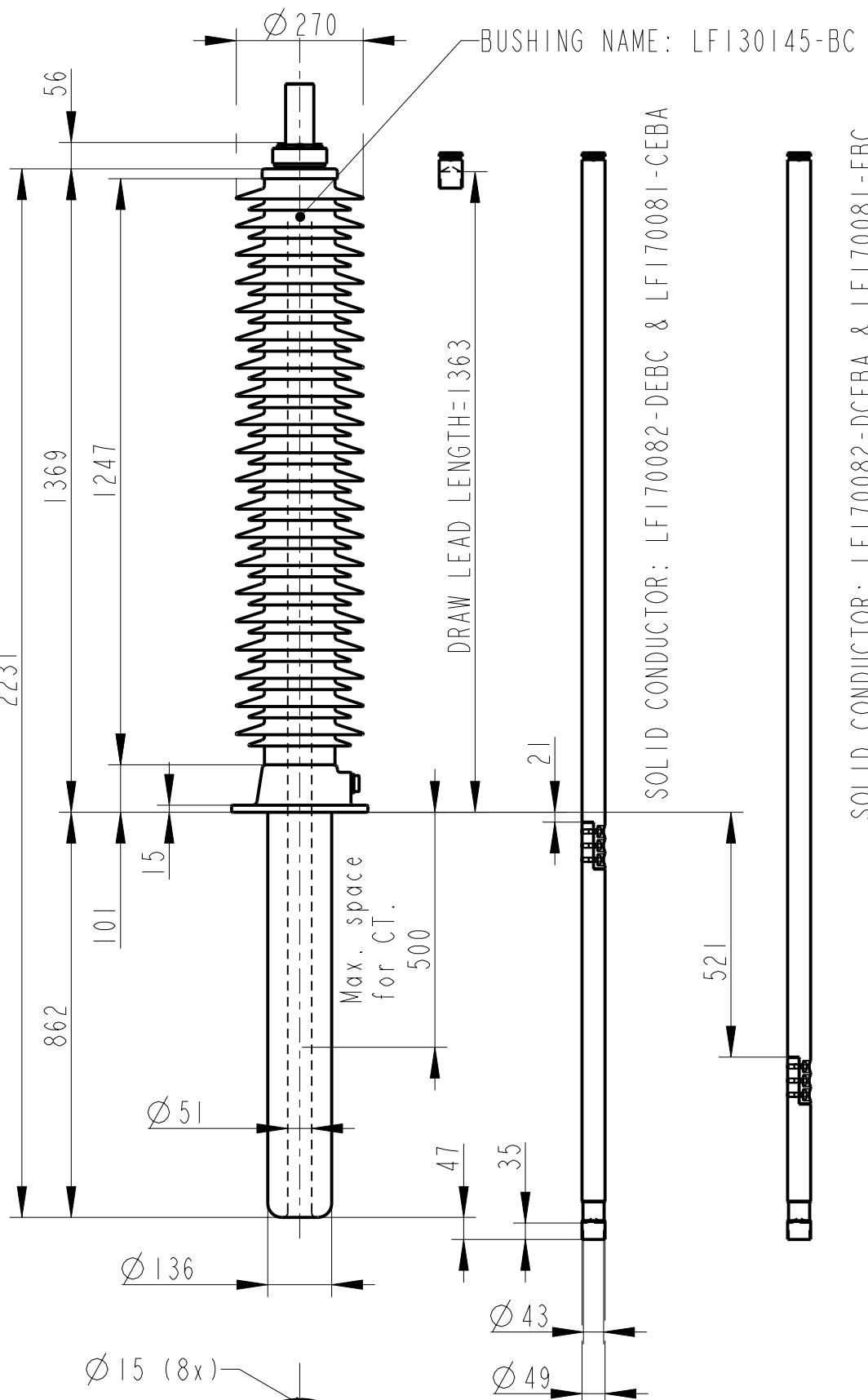
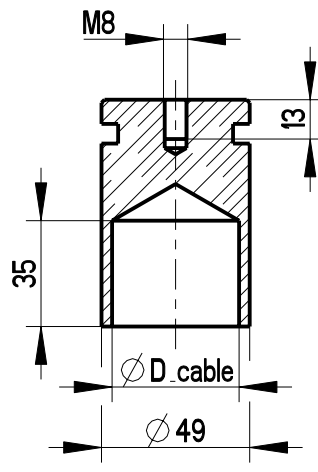


Rev	Ind	Revision	Appd	Date
1		Electrical data changed	JL	02 19



INNER TERMINAL		
Catalogue No	D. cable	MASS
LF170080-A	5	1
LF170080-B	11	1
LF170080-C	13	1
LF170080-D	15	1
LF170080-E	18	1
LF170080-F	30	1
LF170080-G	42	1
LF170080-H	45	1
LF170080-N	20	1



OUTER TERMINAL					
Catalogue No	Material	Mass	H2	Stud	Ø
LF170079-A	AL	2.3	125	60	60
LF170079-B	AL	1.6	125	30	30
LF170079-C	CU	6.2	125	60	60
LF170079-D	CU	3.6	125	30	30
LF170079-E	CU/SN	6.2	125	60	60
LF170079-F	CU/SN	3.6	125	30	30
LF170079-G	CU/AG	6.2	125	60	60
LF170079-H	CU/AG	3.6	125	30	30

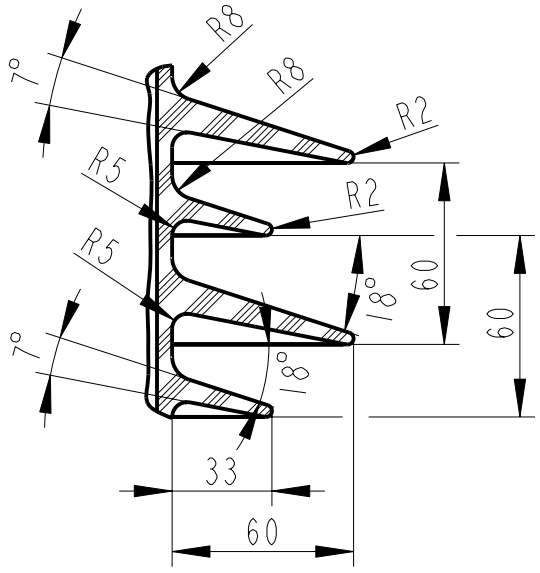
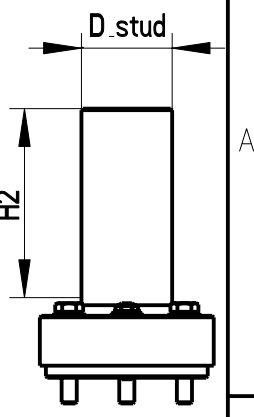


ABB PTP Components Ludvika, Sweden

GSA145-OA/1600/0.5 LF130145-BC

No. 170/170 kV 1600 A 50-60 Hz

LI / SI / AC 650 / - / 300 kV

M 60 kg L 862 mm V 0-90

C1 pF Tan δ z

C2 pF Tan δ z

ELECTRICAL DATA, according to IEC 137		
Ratings	Rated voltage	170 kV
	Max phase to earth voltage, temporary	170 kV
	Max current with Cu-conductor	1600 A
	Max current with stranded cable 740 mm ²	1000 A
	Dry lightning impulse	650 kV
	Wet power frequency	275 kV
Routine test	Dry power frequency	310 kV
Capacitance	Nominal capacitance	400 pF

GENERAL DATA, according to IEC 137		
Silicone rubber insulator	Creepage distance	4595 mm
	Protected creepage distance	2000 mm
	Colour	GREY RAL 7035
Mass	Mass bushing	60 kg
	Cantilever load	Cantilever test load, heavy load 4000 N Max cantilever operating load, bushing 2000 N
Temp class	Temperature class	CLASS 2
Mounting and service instructions		2750 515-115

ELECTRICAL DATA according to ANSI C57.19.00		
Ratings	Insulation class	138 kV
	Rated max. line to ground voltage	102 kV
	Max current with Cu-conductor	1600 A
	Max current with stranded cable 740 mm ²	1000 A
Dim. requirements acc. to C57.19.01 not fulfilled.		

We reserve all rights in this document and in the information contained therein. Reproduction, use or disclosure to third parties without express authority is strictly forbidden. © ABB

Signatures acc. to Revision 0 are valid Signaturer enligt Revision 0 gäller	Based on	Reg. No.	Title
Production engineering review ÅSMO	Prepared P. SJÖBERG	Responsible department COM/BK 0024	OIL-AIR BUSHING GSA145-OA/1600/0.5
Inspection engineering review K-E ANDERSSON	Approved H. JOHANSSON	Take over department	
Design engineering review F. STÄHLE	Revision	Database	Language 82
Document No. 2751362-EBC			Page 1(1)

