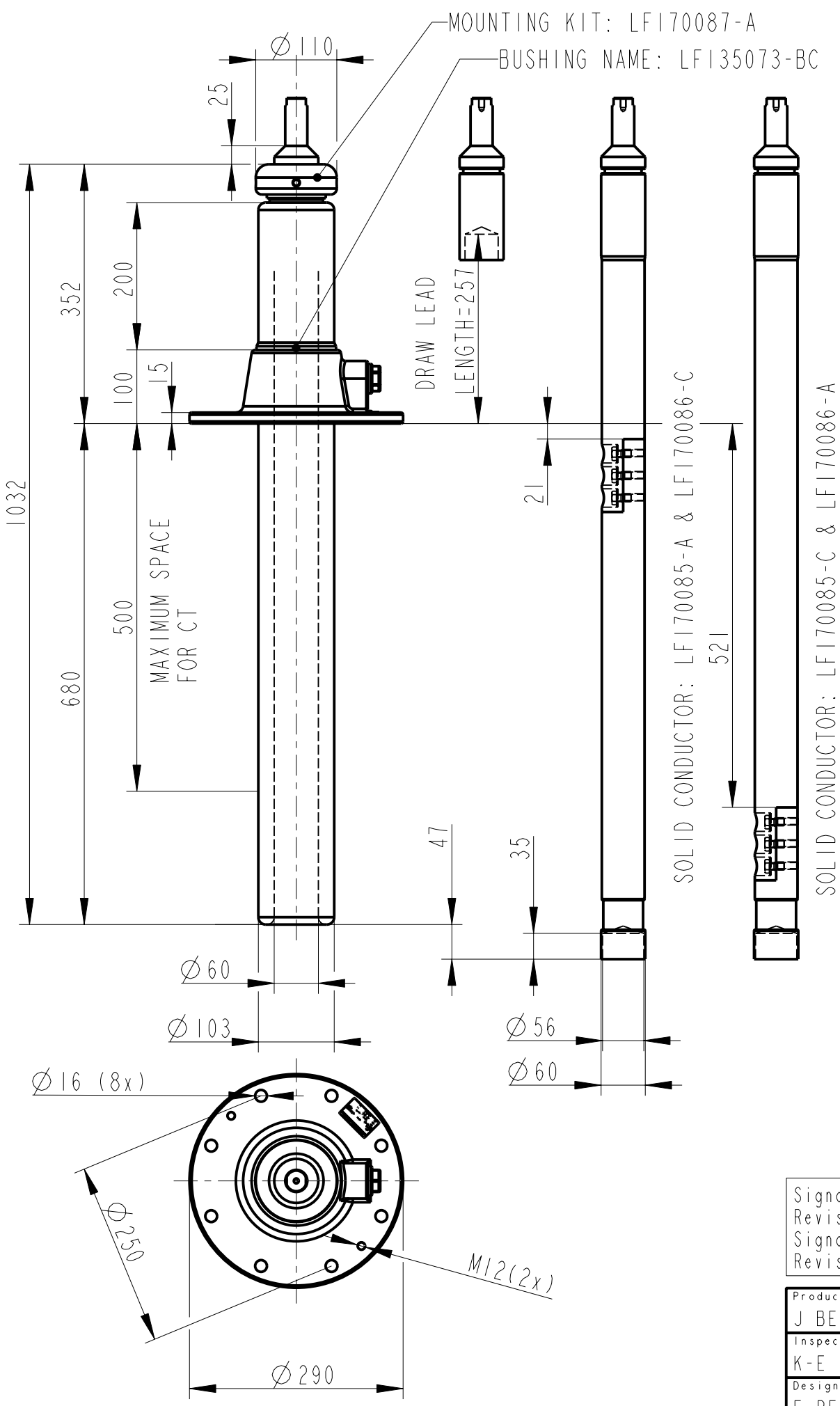
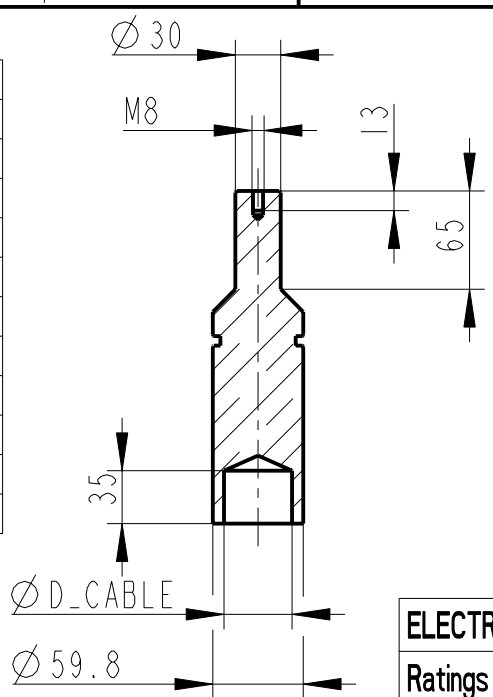


We reserve all rights in this document and in the information contained therein. Reproduction, use or disclosure to third parties without express authority is strictly forbidden. ©ABB

Rev	Ind	Revision	Appd	Date
1		Redrawn	FS	00 27



CATALOGUE No	TERMINAL
KATALOG Nr	D_CABLE
LF170084-A	5.0
LF170084-B	11.0
LF170084-C	13.0
LF170084-D	15.0
LF170084-E	18.0
LF170084-F	30.0
LF170084-G	42.0
LF170084-H	45.0
LF170084-I	50.0
LF170084-J	54.0



ELECTRICAL DATA, according to IEC 137		
Ratings	Rated voltage	73 kV
	Max phase to earth voltage, temporary	73 kV
	Max current with Cu-conductor	2500 A
	Max current with stranded cable 1200mm ²	1600 A
	Dry lightning impulse	350 kV
Ratings	Chopped lightning impulse	403 kV
	Routine test Dry power frequency	160 kV
Capacitance	Nominal capacitance	524 pF

GENERAL DATA, according to IEC 137		
Mass	Mass bushing	11 kg
Cantilever load	Cantilever test load, heavy load	3150 N
	Max cantilever operating load, bushing	1575 N
Temp class	Temperature class	CLASS 2
Mounting and service instructions		2750 515-138

ELECTRICAL DATA, according to ANSI C57.19.00		
Ratings	Insulation class	69 kV
	Rated max. line to ground voltage	44 kV
	Max current with Cu-conductor	2500 A
	Max current with stranded cable 1295 mm ²	1600 A

ABB Components Ludvika, Sweden

GSA73-00/2500/0.5 LF135073-BC

No. Ur/Uy 73/73 kV I_r 2500 A 50/60 Hz

LI / SI / AC 350/-/160 kV

M 11 kg L 680 mm V 0-90

C1 pF Tan δ x

C2 pF Tan δ x

Signatures acc. to Revision 0 are valid
 Signaturer enligt Revision 0 gäller

Production engineering review J BERNER	Approved H JOHANSSON
Inspection engineering review K-E ANDERSSON	Revision
Design engineering review F PETRICI	

Based on	Reg. No.	Title	
Prepared F STÄHLE	Responsible department COM/BK 9905	OIL-OIL BUSHING	
Approved H JOHANSSON	Take over department	GSA73-00/2500/0.5	Language 82
	Database BUSHINGS		Page 1(1)
ABB Components		Document No.	2751365-BC