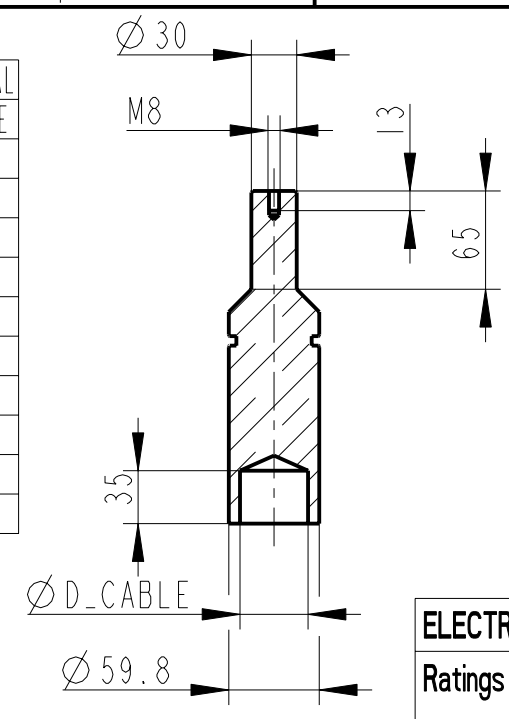


Rev Ind	Revision	Appd	Date
1	Redrawn	FS	00 27

CATALOGUE No	TERMINAL
KATALOG Nr	D_CABLE
LF170084-A	5.0
LF170084-B	11.0
LF170084-C	13.0
LF170084-D	15.0
LF170084-E	18.0
LF170084-F	30.0
LF170084-G	42.0
LF170084-H	45.0
LF170084-I	50.0
LF170084-J	54.0



ELECTRICAL DATA, according to IEC 137		
Ratings	Rated voltage	170 kV
	Max phase to earth voltage, temporary	170 kV
	Max current with Cu-conductor	2000 A
	Max current with stranded cable 1200mm <sup>2</sup>	1600 A
	Dry lightning impulse	750 kV
	Chopped lightning impulse	865 kV
Routine test	Dry power frequency	365 kV
Capacitance	Nominal capacitance	379 pF

GENERAL DATA, according to IEC 137		
Mass	Mass bushing	28 kg
Cantilever load	Cantilever te ilever operating load, bushing	2000 N
Temp class	Temperature class	CLASS 2
Mounting and service instructions		2750 515-138

ELECTRICAL DATA, according to ANSI C57.19.00		
Ratings	Insulation class	161 kV
	Rated max. line to ground voltage	102 kV
	Max current with Cu-conductor	2000 A
	Max current with stranded cable 1295 mm <sup>2</sup>	1600 A

**ABB Components Ludvika, Sweden**  
 GSA170-00/2000/0.5 LF135170-DC

No. **Ur/Uy** 170/170 kV **Ir** 2000 A **50/60 Hz**  
**LI / SI / AC** 750/-/365 **kV**

**M** 28 kg **L** 810 mm **V** 0-90

**C1** pF **Tan δ** x

**C2** pF **Tan δ** x

Signatures acc. to Revision 0 are valid  
 Signaturer enligt Revision 0 gäller

Production engineering review J BERNER	Approved H JOHANSSON
Inspection engineering review K-E ANDERSSON	Revision
Design engineering review F PETRICI	

Based on	Reg. No.	Title <b>OIL-OIL BUSHING</b> GSA170-00/2000/0.5	Language <b>82</b>
Prepared F STÄHLE	Responsible department COM/BK 9905		
Approved H JOHANSSON	Take over department	Database <b>BUSHINGS</b>	Page <b>1(1)</b>
Revision			
<b>ABB Components</b>		Document No. <b>2751365-DC</b>	

We reserve all rights in this document and in the information contained therein. Reproduction, use or disclosure to third parties without express authority is strictly forbidden. ©ABB

