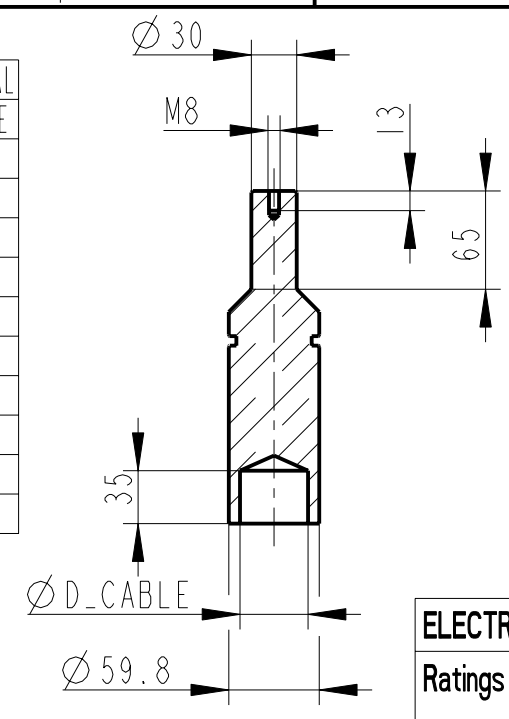


Rev	Ind	Revision	Appd	Date
1		Redrawn	FS	00 27

CATALOGUE No	TERMINAL
KATALOG Nr	D_CABLE
LF170084-A	5.0
LF170084-B	11.0
LF170084-C	13.0
LF170084-D	15.0
LF170084-E	18.0
LF170084-F	30.0
LF170084-G	42.0
LF170084-H	45.0
LF170084-I	50.0
LF170084-J	54.0



ELECTRICAL DATA, according to IEC 137		
Ratings	Rated voltage	245 kV
	Max phase to earth voltage, temporary	245 kV
	Max current with Cu-conductor	1600 A
	Max current with stranded cable 1200mm ²	1250 A
	Dry lightning impulse	1050 kV
	Chopped lightning impulse	1210 kV
Routine test	Dry power frequency	505 kV
Capacitance	Nominal capacitance	336 pF

GENERAL DATA, according to IEC 137		
Mass	Mass bushing	54 kg
Cantilever load	Cantilever test load, heavy load	4000 N
	Max cantilever operating load, bushing	2000 N
Temp class	Temperature class	CLASS 2
Mounting and service instructions		2750 515-138

ELECTRICAL DATA, according to ANSI C57.19.00		
Ratings	Insulation class	196 kV
	Rated max. line to ground voltage	146 kV
	Max current with Cu-conductor	1600 A
	Max current with stranded cable 1295 mm ²	1250 A

ABB Components Ludvika, Sweden
 GSA245-00/1600/0.6 LF135245-EC

No. \bigcirc Ur/Uy 245/245 kV Ir 1600 A 50/60 Hz \bigcirc
 LI / SI / AC 1050/-/505 kV \bigcirc
 M 54 kg L 1110mm \surd 0-90
 C1 pF Tan δ x
 C2 pF Tan δ x

Signatures acc. to Revision 0 are valid
 Signaturer enligt Revision 0 gäller

Production engineering review J BERNER	Approved H JOHANSSON
Inspection engineering review K-E ANDERSSON	Revision
Design engineering review F PETRICI	

Based on	Reg. No.	Title OIL-OIL BUSHING GSA245-00/1600/0.6	Language 82
Prepared F STÄHLE	Responsible department COM/BK 9905		
Approved H JOHANSSON	Take over department	Database BUSHINGS	Page 1(1)
ABB Components		Document No.	2751365-EC

We reserve all rights in this document and in the information contained therein. Reproduction, use or disclosure to third parties without express authority is strictly forbidden. ©ABB

