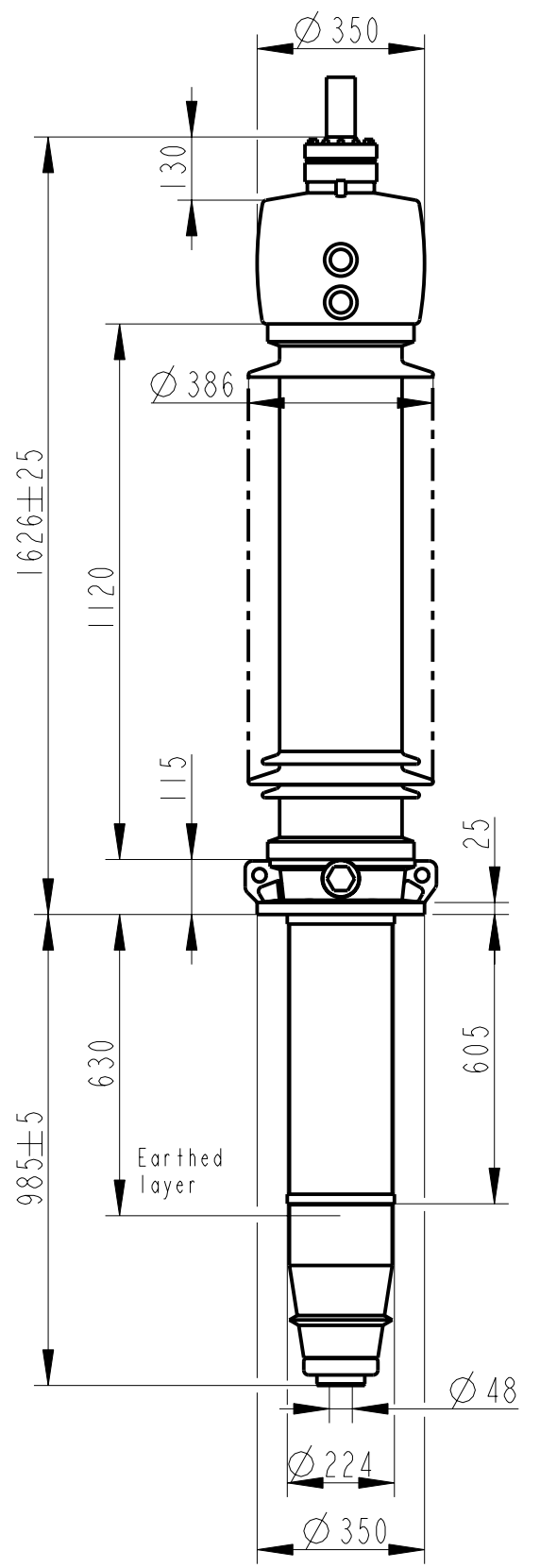


Rev	Ind	Revision	Appd	Date



Bushing Data:

Rated Voltage	170	kV
Phase to-earth Voltage	123	kV
Dry Lightning Impulse 1,2/50µs	550	kV
Wet Switching Impulse	400	kV
Wet Power frequency AC	240	kV
Routine test Imin dry 50Hz	260	kV
Rated Current	3150	A
Creepage Distance	3355	mm
Mass	275	kg

Ordering Data:

BUSHING LF121053 -A / -AA COLOUR AIR INSULATOR BROWN / LIGHT GREY

OUTER TERMINAL	H2 (mm)	D2 (mm)
LF170 073-A Al	125	60
LF170 073-B Cu	125	60
LF170 073-G Cu/Ag	125	60
OTHER TYPES ON REQUEST		

END-SHIELD
 LF170 046-U EPOXY INSULATED
 LF170 046-UP INSULATED WITH 3 mm PRESSBOARD

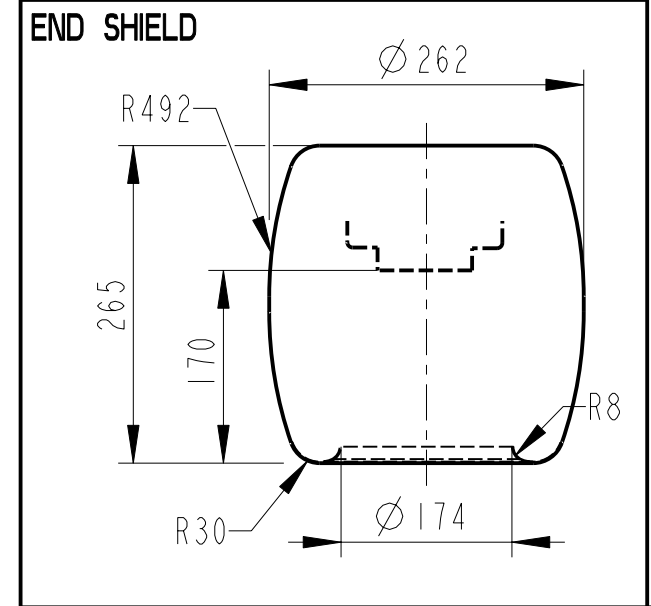
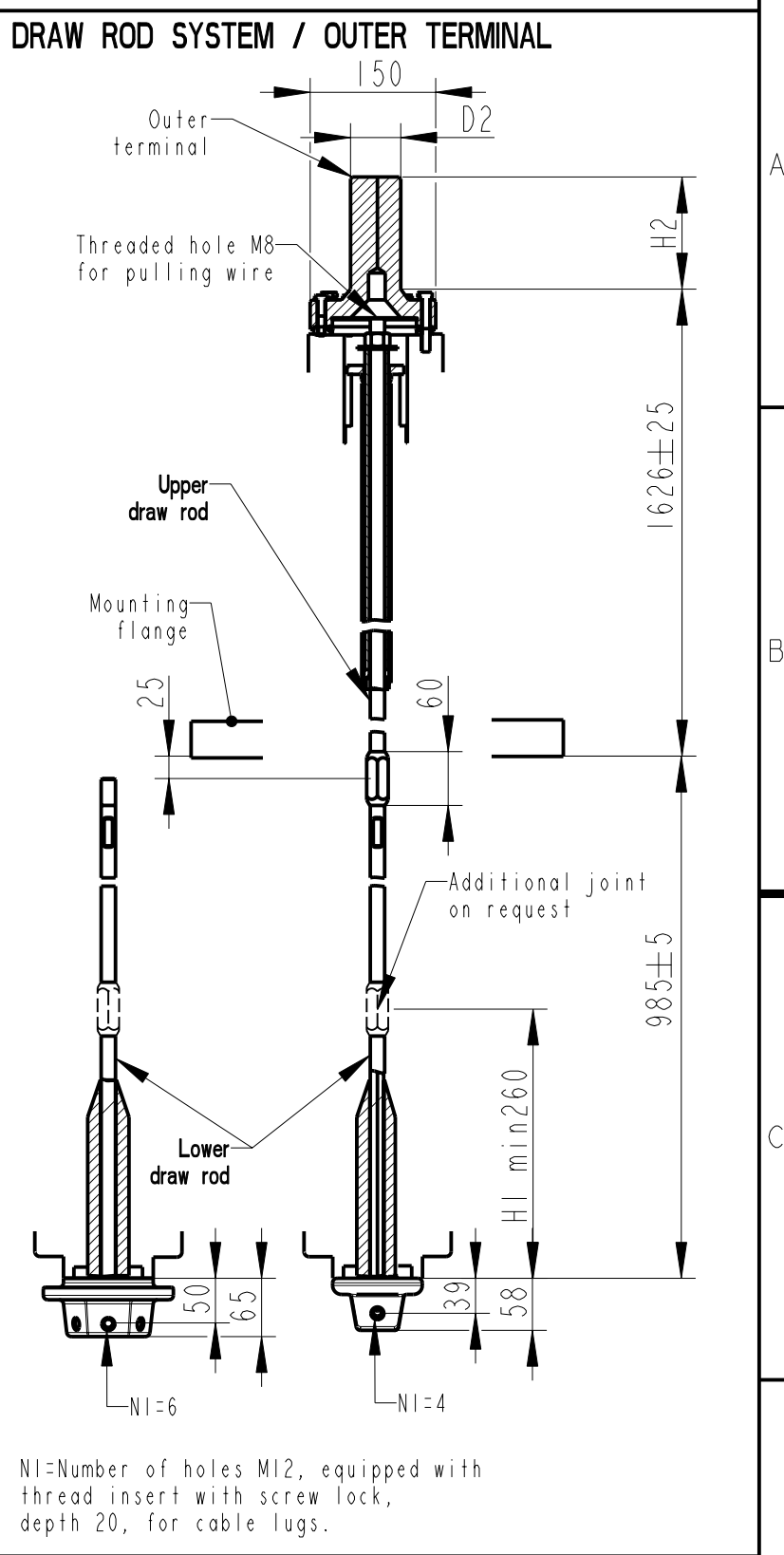
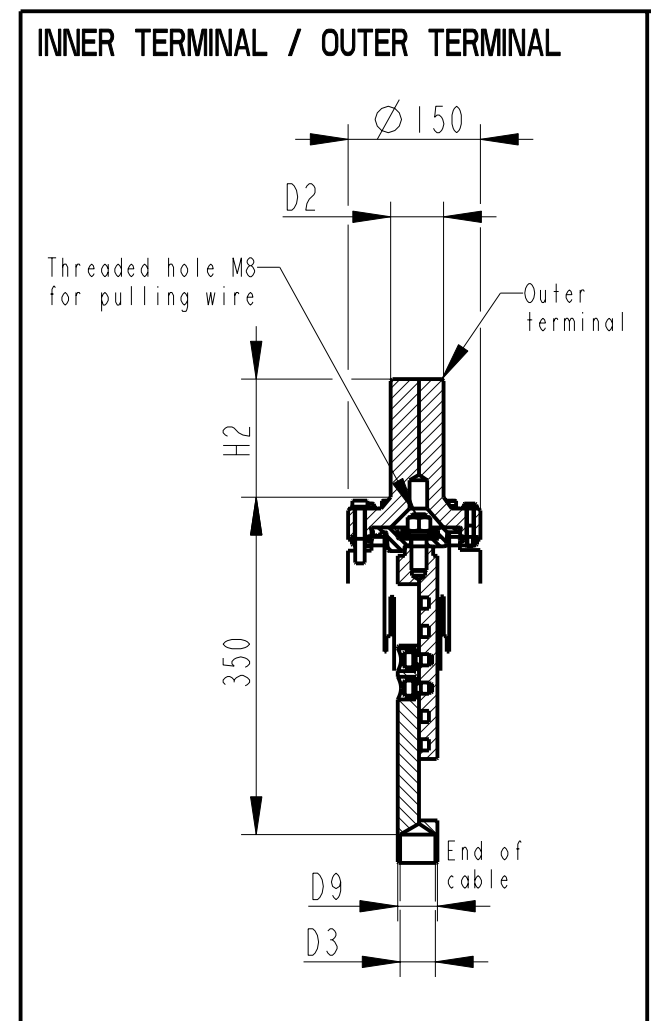
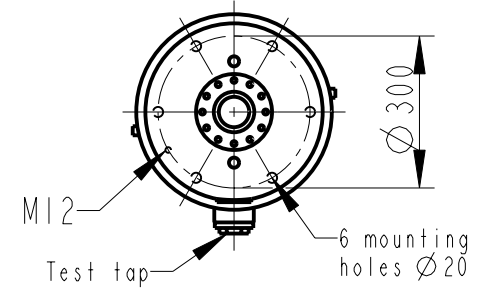
DRAW ROD SYSTEM
 LF170 059 LOWER DRAW ROD WITH NI=4 OR NI=6
 LF170 057 UPPER DRAW ROD

INNER TERMINAL	D3 (mm)	D9 (mm)	Cond.area (mm ²)	Current (A) IEC	IEEE
LF170 056-E O *)	45	-	-	-	-
LF170 056-D	40	45	600	1600	1360

*) WITH PILOT HOLE D=5

ABB Components Luleå, Sweden

Ur-ty	Nb	50-60 Hz
U	kV SI	kV AC
M	kg L	mm D
C1	pF Tanδ	;
C2	pF Tanδ	;



Based on	Reg. No.	Title	Language
Prepared Lövnord	Responsible department COM/BK 0022	GOE-450-400-3150-0.6	
Approved Johansson	Take over department		Page
Design engineering review Gutman	Database	Document No.	1(1)
ABB ABB Components		2751369-10	

We reserve all rights in this document and in the information contained therein. Reproduction, use or disclosure to third parties without express authority is strictly forbidden. ©ABB