

Bushing Data:

Rated Voltage	420	kV
Phase to-earth Voltage	280	kV
Dry Lightning Impulse	1425	kV
Wet Switching Impulse	950	kV
Wet Power frequency AC	580	kV
Routine test 1min dry 50Hz	695	kV
Rated Current	2500	A
Creepage Distance	8570	mm
Mass	1230	kg

Ordering Data:

BUSHING
 LF121075 -C / -AC COLOUR AIR INSULATOR
 BROWN / LIGHT GREY

OUTER TERMINAL

	H2 (mm)	D2 (mm)
LF170 073-A Al	125	60
LF170 073-B Cu	125	60
LF170 073-G Cu/Ag	125	60

OTHER TYPES ON REQUEST

END-SHIELD

LF170 046-V EPOXY INSULATED
 LF170 046-VP INSULATED WITH 3 mm PRESSBOARD

DRAW ROD SYSTEM

LF170 059 LOWER DRAW ROD WITH NI=4 OR NI=6
 LF170 057 UPPER DRAW ROD

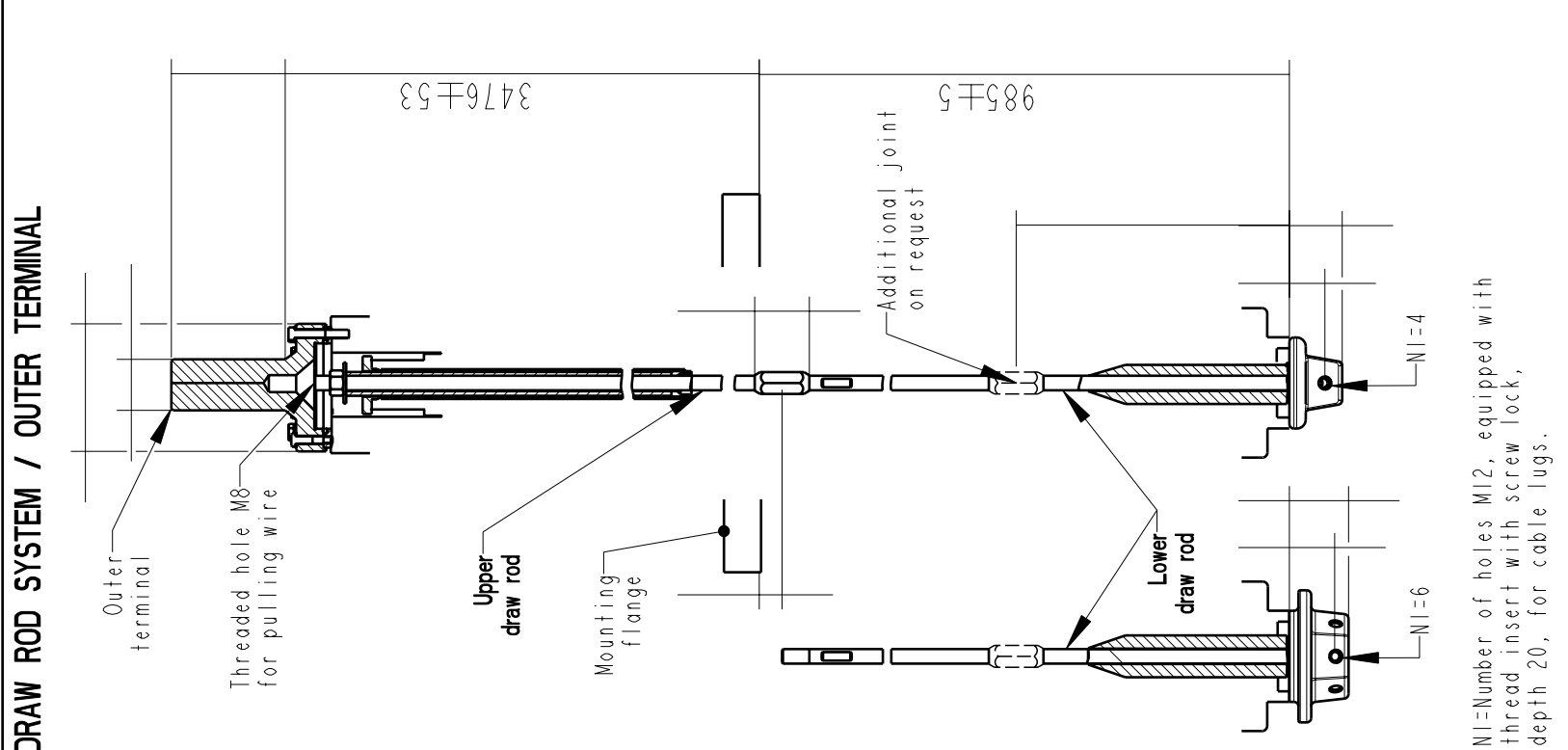
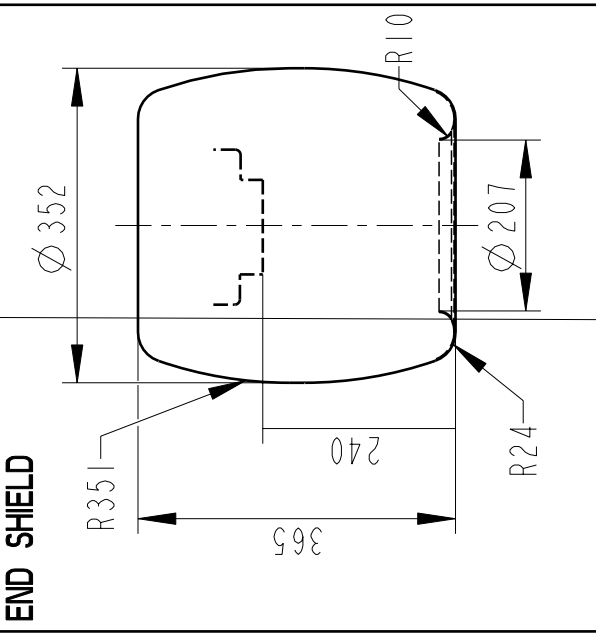
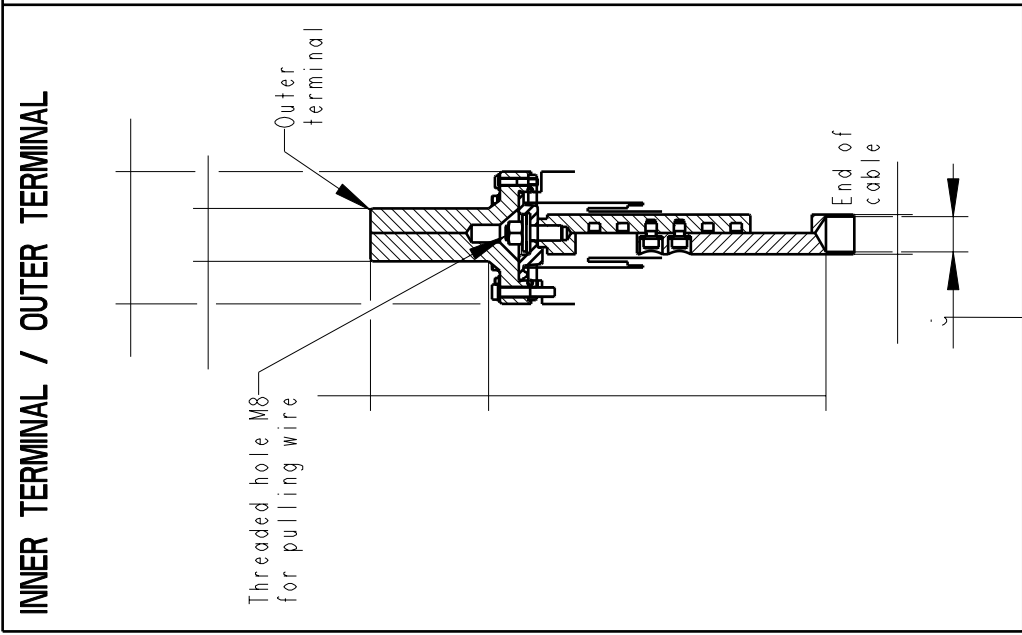
INNER TERMINAL

D3 (mm)	D9 (mm)	Cond.area (mm ²)	Current (A)	IEEC
LF170 056-E O*) 45	-	-	-	-
LF170 056-D 40	45	600	1600	1360

*) WITH PILOT HOLE D=5

ABB Components Lutha, Sweden

No.	kV	A	50/60	Hz
U _{dry}	kV	SI	kV	AC
U _w	kg	L	mm	D
M	Cl	pF	Tan δ	:
C2		pF	Tan δ	:



NI=Number of holes M12, equipped with thread insert with screw lock, depth 20, for cable lugs.

Based on	Reg. No.	Title
Prepared Lönvord	Responsible department COM/BK 0025	GOE-1425-950-2500-0
Approved Johansson	Take over department	
Design engineering review Gutman	Database	
ABB Component		Document No. 2751369-100

We reserve all rights in this document and in the information contained therein. Reproduction, use or disclosure to third parties without express authority is strictly forbidden.
 © ABB