

### Bushing Data:

Rated Voltage	420	kV
Phase to-earth Voltage	280	kV
Dry Lightning Impulse	1425	kV
Wet Switching Impulse	950	kV
Wet Power frequency AC	580	kV
Routine test 1min dry 50Hz	695	kV
Rated Current	2500	A
Creepage Distance	8570	mm
Mass	1300	kg

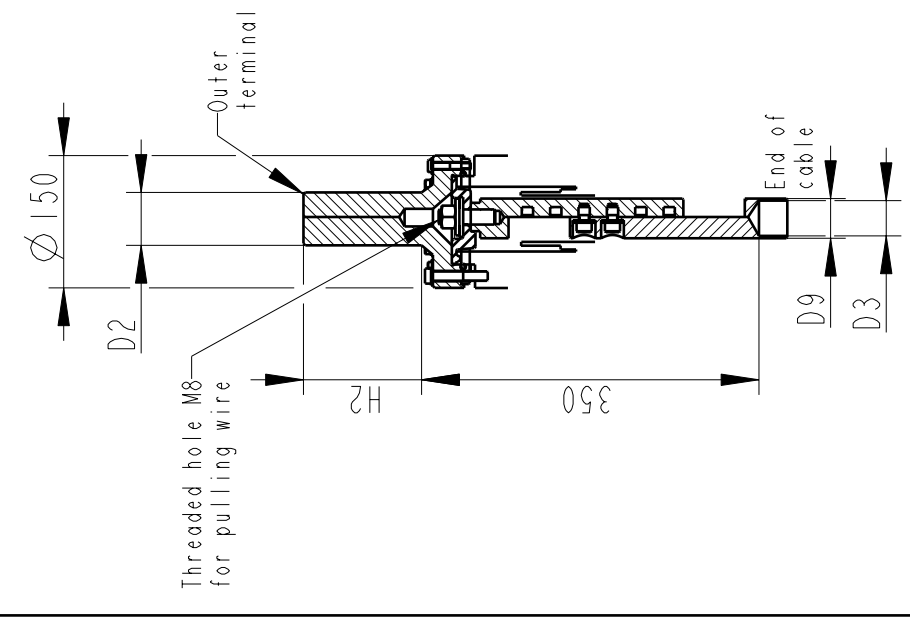
### Ordering Data:

<b>BUSHING</b>	COLOUR AIR INSULATOR				
LF121075 -A / -AA	BROWN / LIGHT GREY				
<b>OUTER TERMINAL</b>	H2 (mm)	D2 (mm)			
LF170 073-A Al	125	60			
LF170 073-B Cu	125	60			
LF170 073-G Cu/Ag	125	60			
OTHER TYPES ON REQUEST					
<b>END-SHIELD</b>	LF170 046-V EPOXY INSULATED				
LF170 046-VP INSULATED WITH 3 mm PRESSBOARD					
<b>DRAW ROD SYSTEM</b>	LF170 059 LOWER DRAW ROD WITH NI=4 OR NI=6				
LF170 057 UPPER DRAW ROD					
<b>INNER TERMINAL</b>	D3 (mm)	D9 (mm)	Cond. area (mm <sup>2</sup> )	Current (A)	IEEC
LF170 056-E O*)	45	-	-	-	-
LF170 056-D	40	45	600	1600	1360

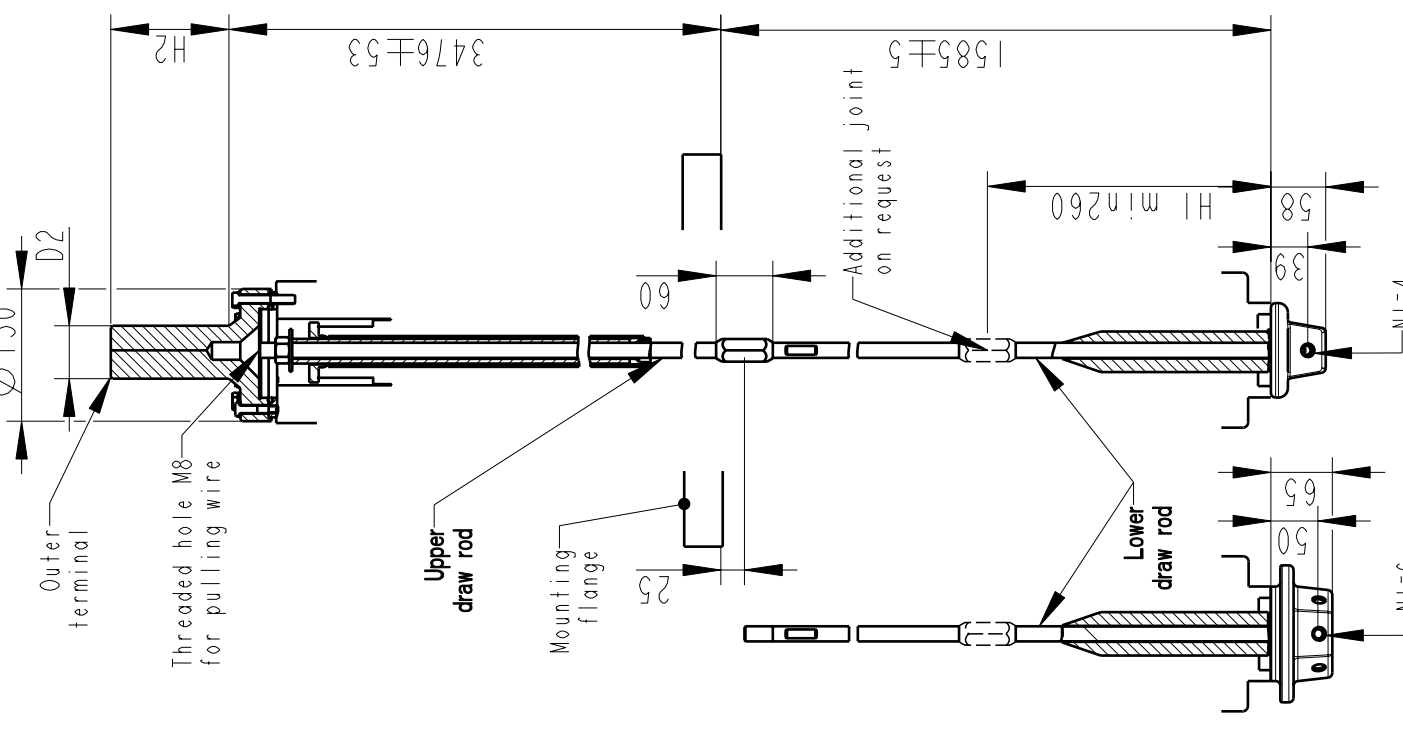
\*) WITH PILOT HOLE D=5

ABB Components		Lutiska, Sweden		
Urdu	No.	kV I	A	50/60 Hz
U	kV SI	kV AC	mm D	kV
M	kg L	mm D		
C1	pf Tamδ			
C2	pf Tamδ			

### INNER TERMINAL / OUTER TERMINAL

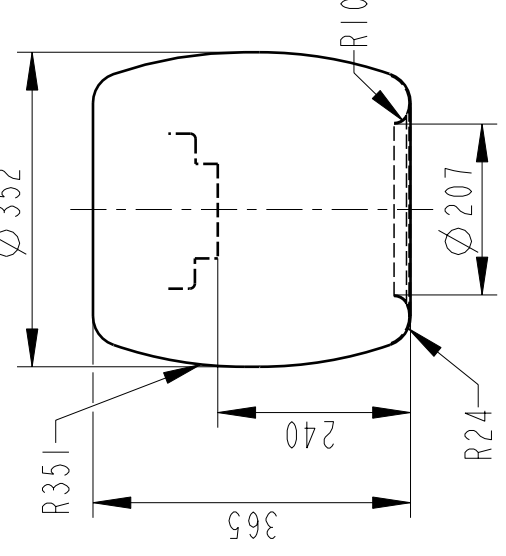


### DRAW ROD SYSTEM / OUTER TERMINAL



NI=Number of holes M12, equipped with thread insert with screw lock, depth 20, for cable lugs.

### END SHIELD



We reserve all rights in this document and in the information contained therein. Reproduction, use or disclosure to third parties without express authority is strictly forbidden.  
©ABB