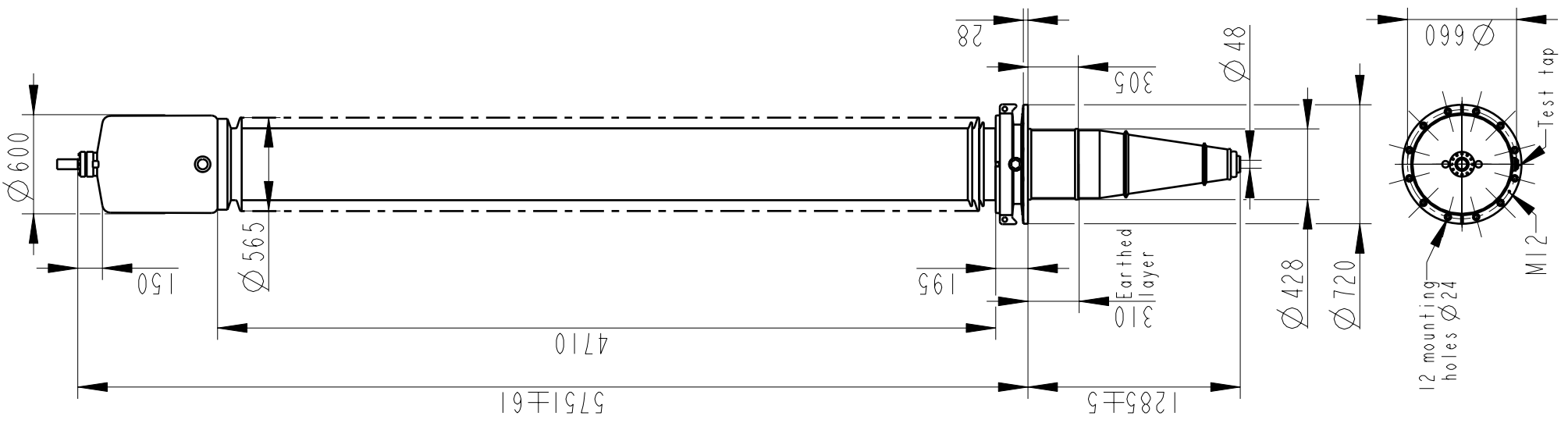


We reserve all rights in this document and in the information contained therein. Reproduction, use or disclosure to third parties without express authority is strictly forbidden.  
©ABB



**Bushing Data:**

Rated Voltage	550	kV
Phase to-earth Voltage	318	kV
Dry Lightning Impulse I, 2/50µs	1800	kV
Wet Switching Impulse	1360	kV
Wet Power frequency AC	850	kV
Routine test Imin dry 50Hz	800	kV
Rated Current	2500	A
Creepage Distance	15060	mm
Mass	1885	kg

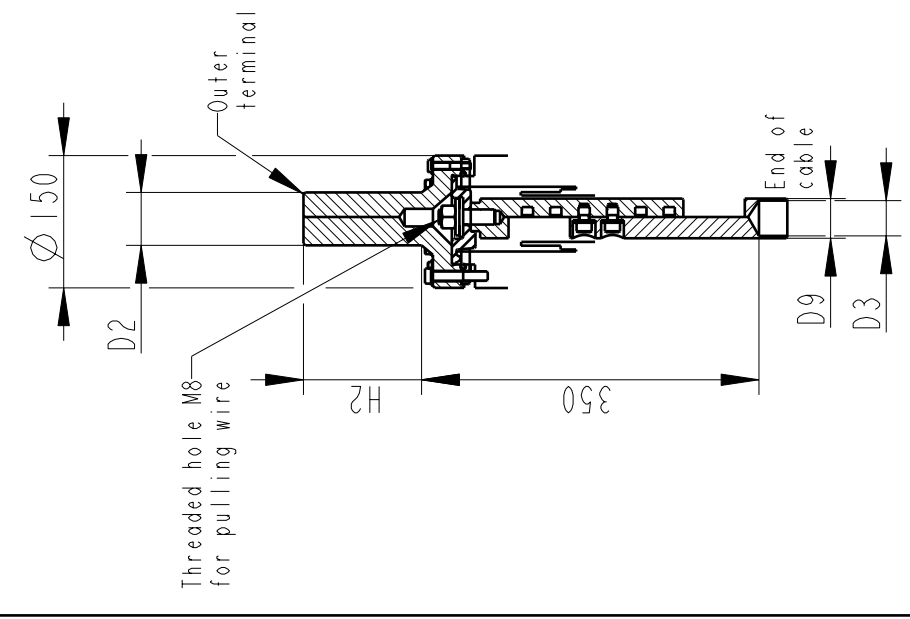
**Ordering Data:**

<b>BUSHING</b>	COLOUR AIR INSULATOR				
LF121076 -B / -AB	BROWN / LIGHT GREY				
<b>OUTER TERMINAL</b>	H2 (mm)	D2 (mm)			
LF170 073-A Al	125	60			
LF170 073-B Cu	125	60			
LF170 073-G Cu/Ag	125	60			
OTHER TYPES ON REQUEST					
<b>END-SHIELD</b>					
LF170 046-V EPOXY INSULATED					
LF170 046-VP INSULATED WITH 3 mm PRESSBOARD					
<b>DRAW ROD SYSTEM</b>					
LF170 059 LOWER DRAW ROD WITH NI=4 OR NI=6					
LF170 057 UPPER DRAW ROD					
<b>INNER TERMINAL</b>	D3 (mm)	D9 (mm)	Cond. area (mm <sup>2</sup> )	Current (A)	IEEE
LF170 056-E O*)	45	45	-	-	-
LF170 056-D	40	45	600	1600	1360

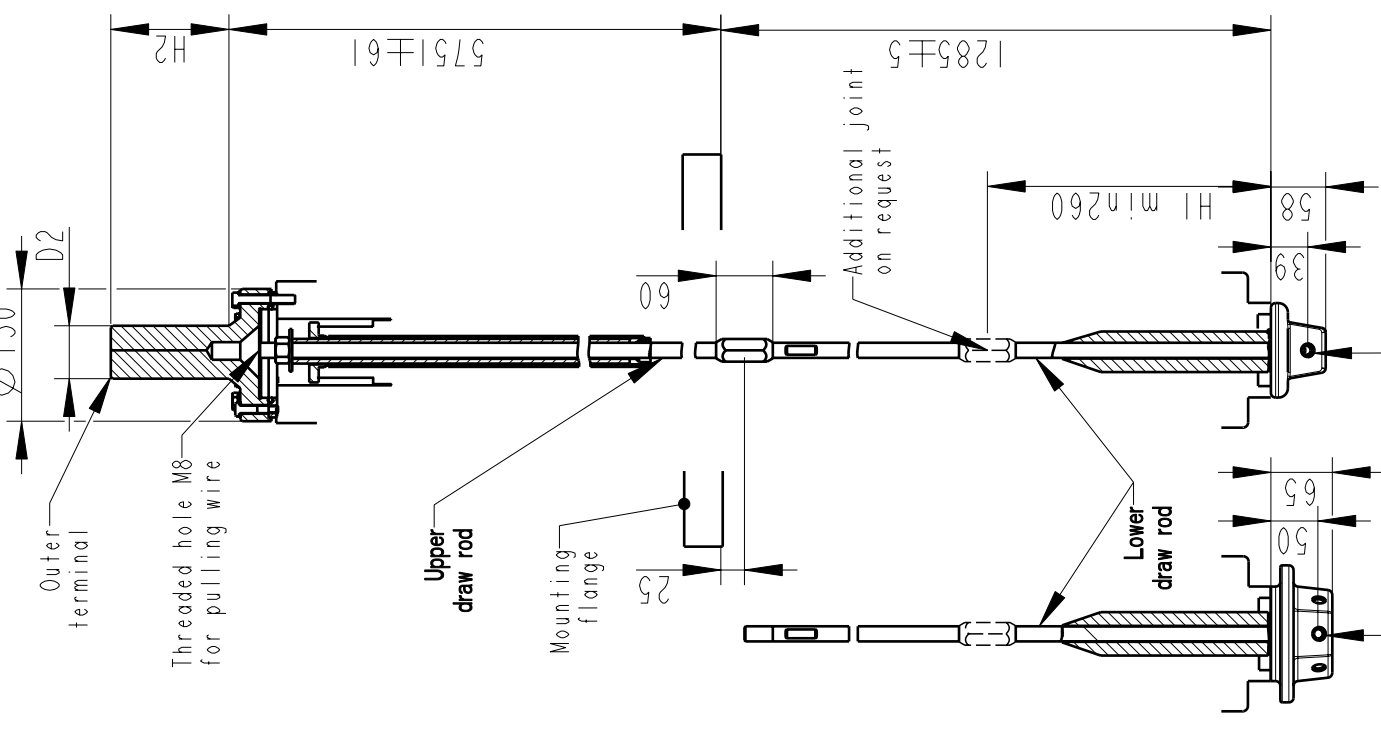
\*) WITH PILOT HOLE D=5

ABB Components		Lutiska, Sweden			
Urdu	No.	kV	A	50/60	Hz
U	kV	SI	kV	AC	kV
M	kg	L	mm	D	
C1	pF	Tanδ	:		
C2	pF	Tanδ	:		

**INNER TERMINAL / OUTER TERMINAL**

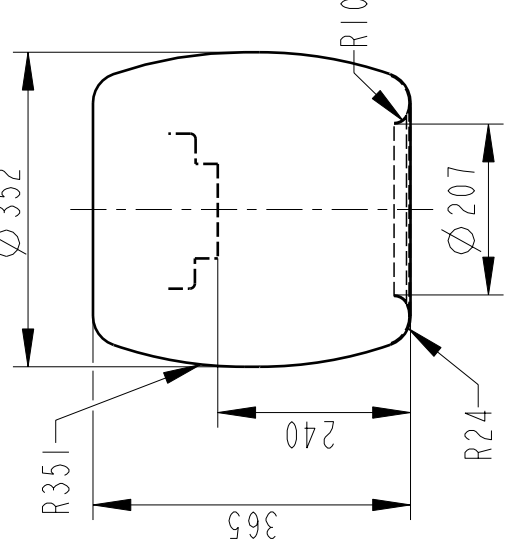


**DRAW ROD SYSTEM / OUTER TERMINAL**



NI=Number of holes M12, equipped with thread insert with screw lock, depth 20, for cable lugs.

**END SHIELD**



Based on	Reg. No.	Title
Prepared	Responsible department	GOE-1800-1360-2500-0.3
Lövnord	COM/BK 0025	
Approved	Take over department	
Johansson	Database	
Design engineering review		Document No.
Gutman		2751369-104
Language		Page
82		1(1)