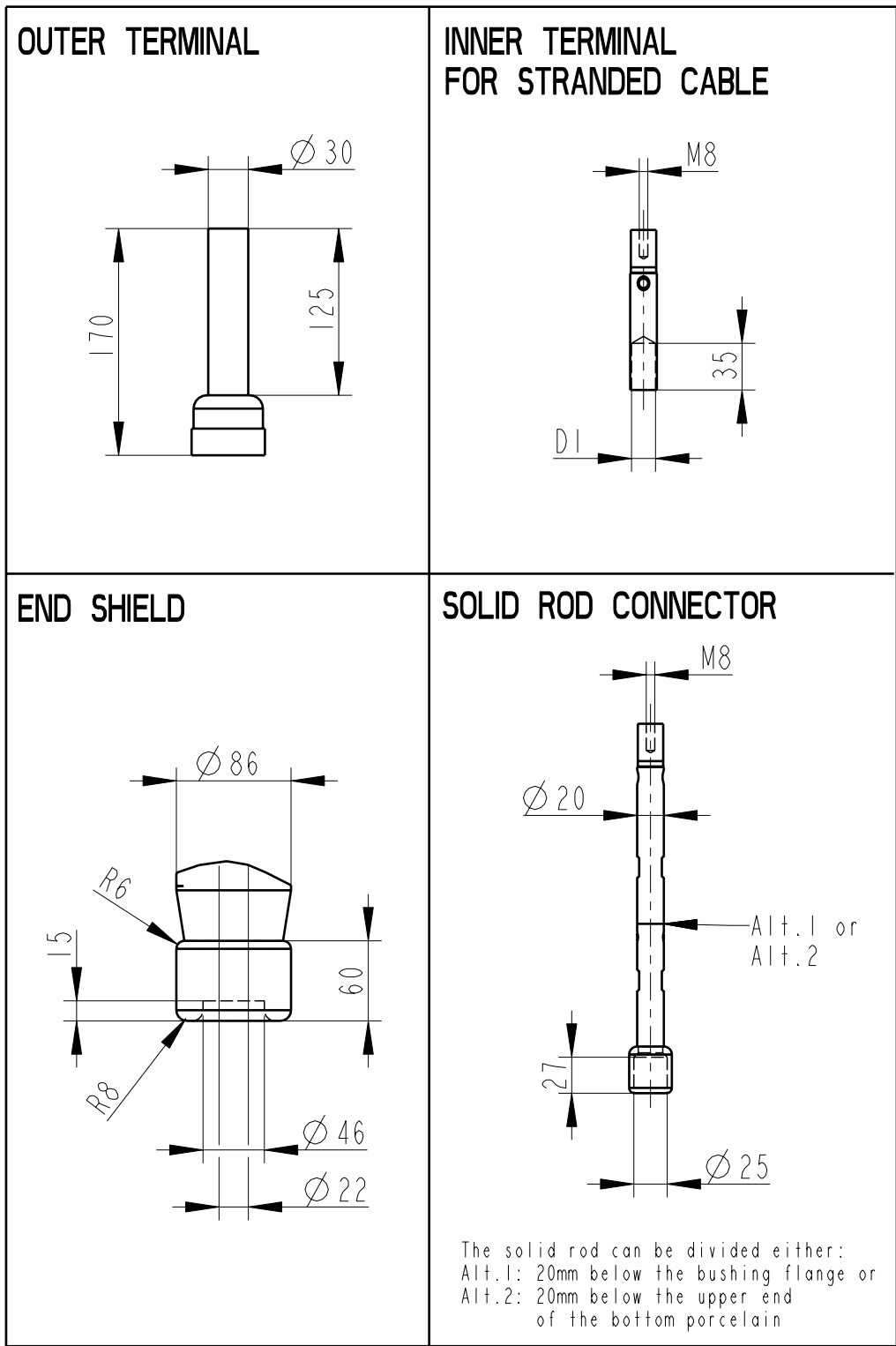
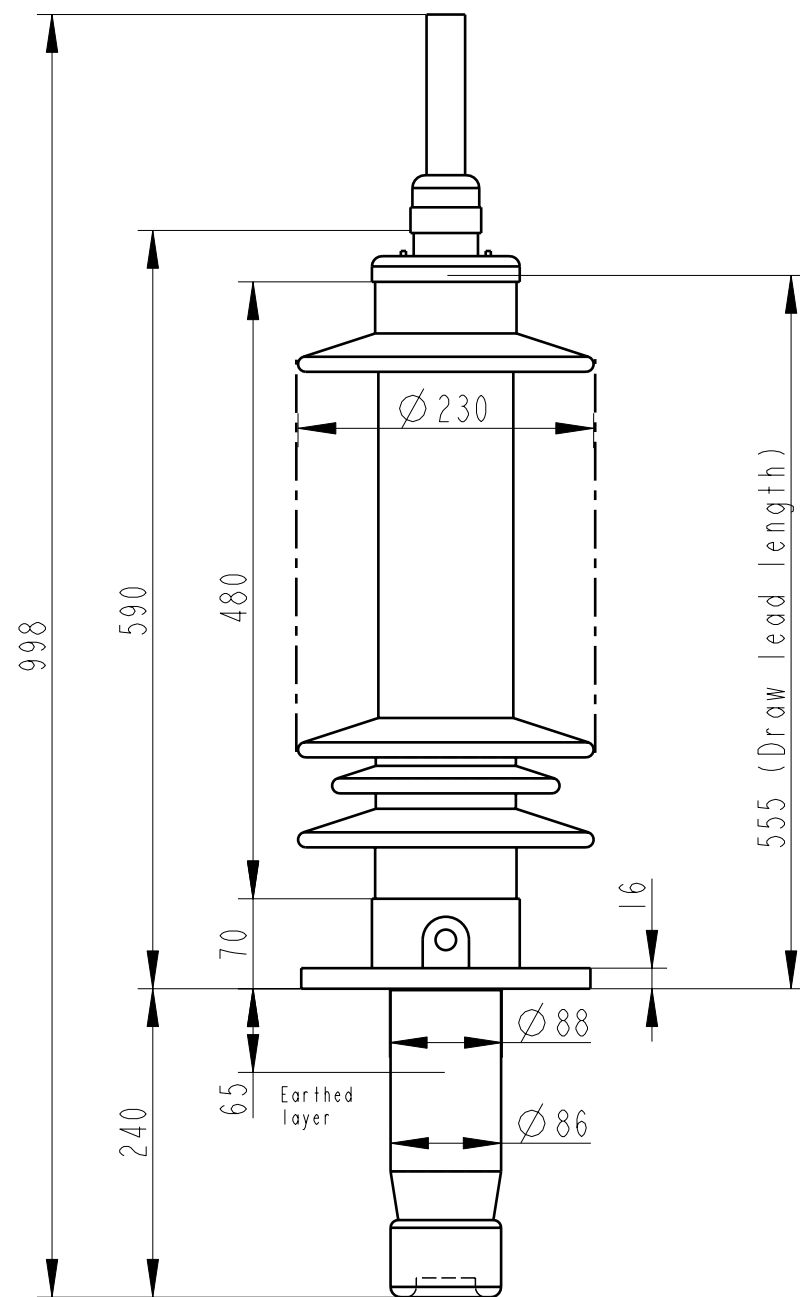


We reserve all rights in this document and in the information contained therein. Reproduction, use or disclosure to third parties without express authority is strictly forbidden. ©ABB



Bushing Data:	
Rated Voltage	52 kV
Phase to Ground Voltage	52 kV
Dry Lightning Impulse 1,2/50µs	250 kV
Wet power frequency AC	105 kV
Routine test 1min dry 50Hz	120 kV
Rated Current	800 A
Creepage Distance	1500±50 mm
Creepage Distance Protected	580 mm
Mass	23 kg

Ordering Data:	
BUSHING	COLOUR AIR INSULATOR
LF123013-K	BROWN
-L	LIGHT GREY
OUTER TERMINAL	
LF 170 002-A	Cu, Ø 30, L=125
LF 170 001-A	Al, Ø 30, L=125
OTHER TYPES ON REQUEST	
INNER TERMINAL FOR STRANDED CABLE	
For brazing	Conductor area D1
LF 170 011-S	up to 150mm ² Ø18
LF 170 011-U	Undrilled with pilot hole Ø5
For crimping or brazing	Conductor area D1
LF 170 010-M	50mm ² Ø11
LF 170 010-N	70mm ² Ø13
LF 170 010-L	95mm ² Ø15
SOLID ROD CONNECTOR	
LF 170 019 -A for Alt.1	
N/A for Alt.2	

The solid rod can be divided either:
 Alt.1: 20mm below the bushing flange or
 Alt.2: 20mm below the upper end of the bottom porcelain

ABB Components Ludvika, Sweden	
No.	
Ur/ty	
LI / SI / AC	
M	kg L mm V
C1	pF Tan δ
C2	pF Tan δ

Based on	Reg. No.
Prepared	Responsible department
Approved	Take over department
Design engineering review	Database

Title	
GOB 250-800-0	
WITHOUT OIL LEVEL GAUGE	
SHORT END SHIELD	
Language	82
Page	1(1)
Document No.	2751369-109

ABB ABB Components