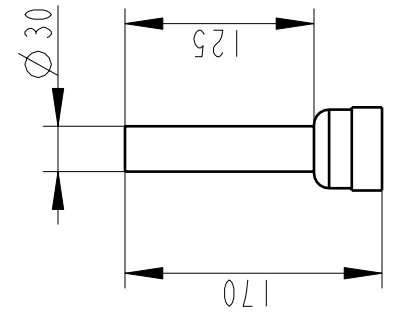
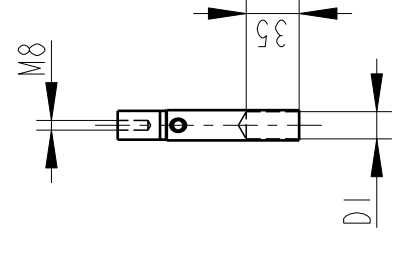


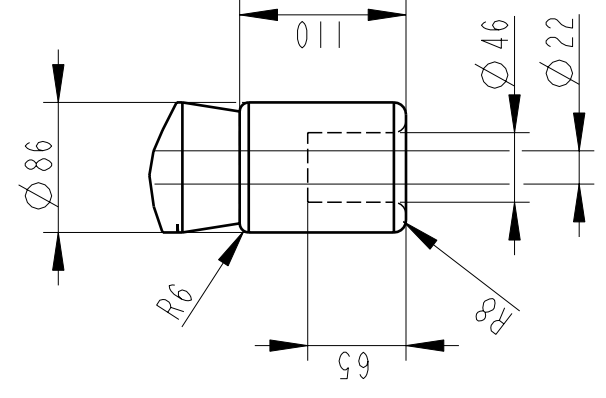
OUTER TERMINAL



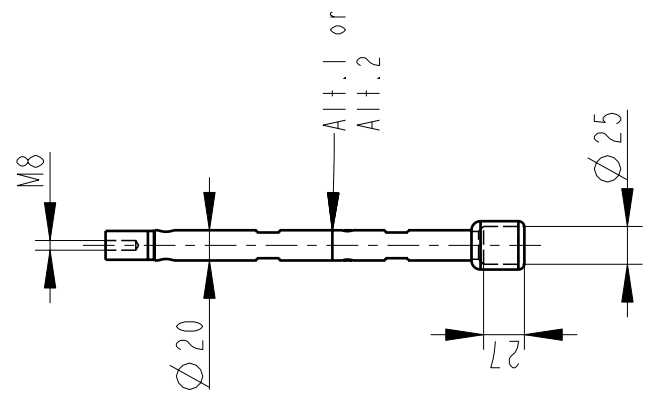
INNER TERMINAL FOR STRANDED CABLE



END SHIELD



SOLID ROD CONNECTOR



The solid rod can be divided either:
 Alt.1: 20mm below the bushing flange or
 Alt.2: 20mm below the upper end of the bottom porcelain

Bushing Data:

Rated Voltage	52 kV
Phase to Ground Voltage	52 kV
Dry Lightning Impulse 1,2/50µs	250 kV
Wet power frequency AC	105 kV
Routine test Imin dry 50Hz	120 kV
Rated Current	800 A
Creepage Distance	1500±50 mm
Creepage Distance Protected	580 mm
Mass	23 kg

Ordering Data:

BUSHING	LF123013-M	COLOUR AIR INSULATOR	BROWN
	-N		LIGHT GREY
OUTER TERMINAL	LF 170 002-A		Cu, Ø30, L=125
	LF 170 001-A		Al, Ø30, L=125
OTHER TYPES ON REQUEST			
INNER TERMINAL FOR STRANDED CABLE			
For brazing		Conductor area	DI
LF 170 011-S		up to 150mm ²	Ø18
LF 170 011-U		Undrilled with pilot hole Ø5	
For crimping or brazing		Conductor area	DI
LF 170 010-M		50mm ²	Ø11
LF 170 010-N		70mm ²	Ø13
LF 170 010-L		95mm ²	Ø15
SOLID ROD CONNECTOR			
LF 170 019 -A for Alt.1			
N/A for Alt.2			

ABB Components		Luvia, Sweden	
No.	Unit	kV	A 50/60 Hz
LI	SI / AC	mm	V
M	kg	L	mm
CI	pF	Tan δ	z
C2	pF	Tan δ	z

Based on	Reg. No.
Prepared	Responsible department
LÖVNRD	COM/BK
Approved	Take over department
Johansson	Database
Design engineering review	
Hedlund	

Title	Language
GOB 250-800-0	82
WITHOUT OIL LEVEL GAUGE	Page
LONG END SHIELD	I(1)
Document No.	
2751369-110	

We reserve all rights in this document and in the information contained therein. Reproduction, use or disclosure to third parties without express authority is strictly forbidden.
 ©ABB