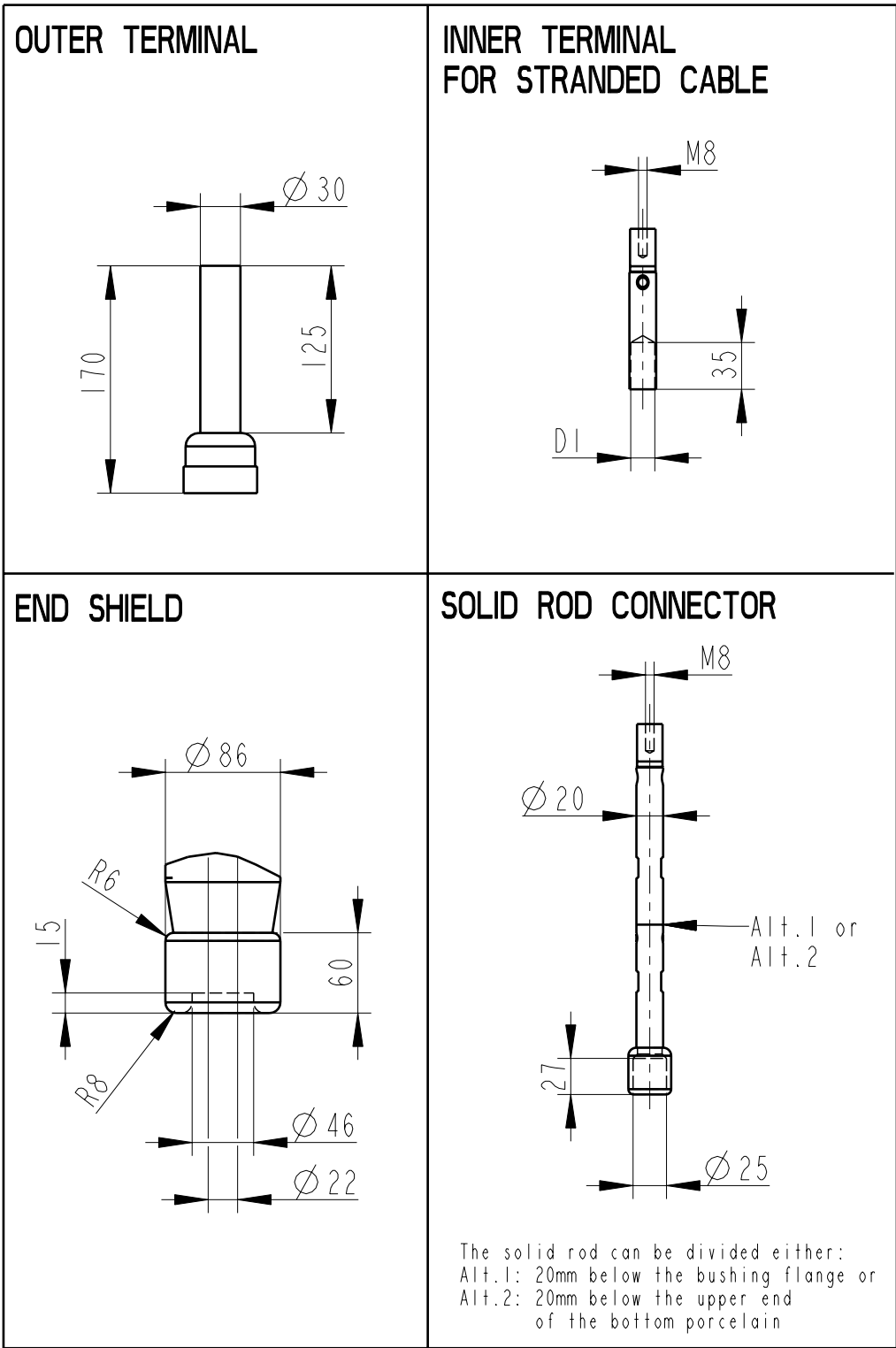
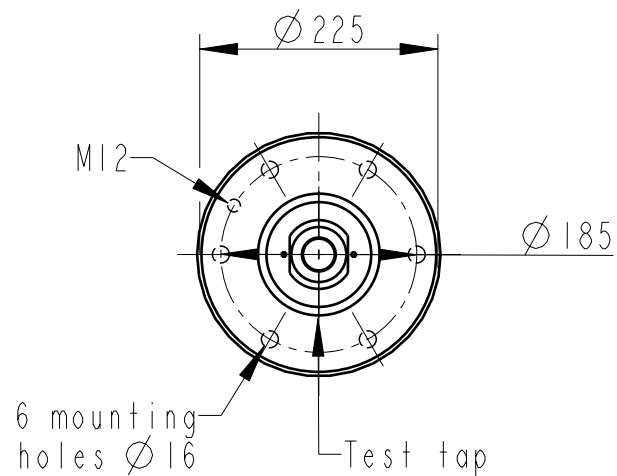
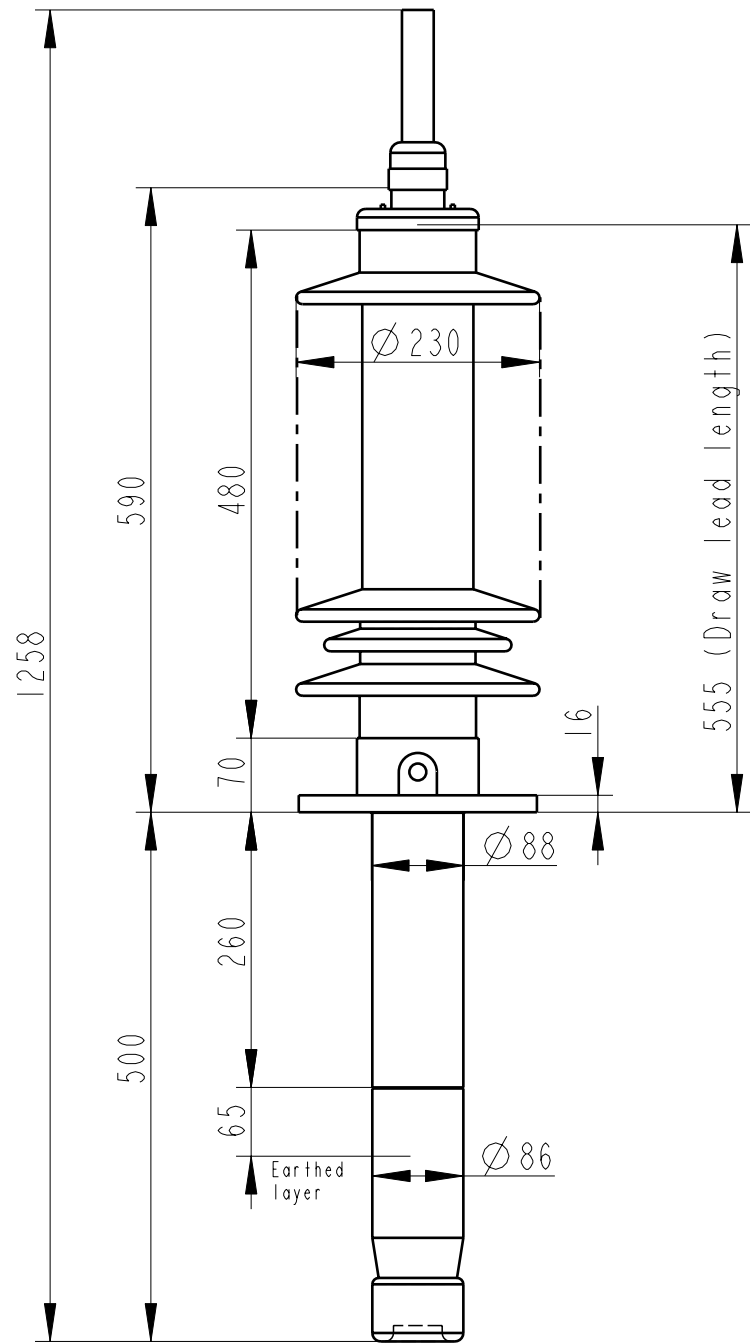


We reserve all rights in this document and in the information contained therein. Reproduction, use or disclosure to third parties without express authority is strictly forbidden. ©ABB



**Bushing Data:**

Rated Voltage	52	kV
Phase to Ground Voltage	52	kV
Dry Lightning Impulse 1,2/50µs	250	kV
Wet power frequency AC	105	kV
Routine test 1min dry 50Hz	120	kV
Rated Current	800	A
Creepage Distance	1500±50	mm
Creepage Distance Protected	580	mm
Mass	25	kg

**Ordering Data:**

<b>BUSHING</b>	COLOUR AIR INSULATOR	
LF123015-K	BROWN	
-L	LIGHT GREY	
<b>OUTER TERMINAL</b>		
LF 170 002-A	Cu, Ø 30, L=125	
LF 170 001-A	Al, Ø 30, L=125	
OTHER TYPES ON REQUEST		
<b>INNER TERMINAL FOR STRANDED CABLE</b>		
<b>For brazing</b>	Conductor area	D1
LF 170 011-S	up to 150mm <sup>2</sup>	Ø18
LF 170 011-U	Undrilled with pilot hole	Ø5
<b>For crimping or brazing</b>	Conductor area	D1
LF 170 010-M	50mm <sup>2</sup>	Ø11
LF 170 010-N	70mm <sup>2</sup>	Ø13
LF 170 010-L	95mm <sup>2</sup>	Ø15
<b>SOLID ROD CONNECTOR</b>		
LF 170 019 -D	for Alt.1	
LF 170 019 -B	for Alt.2	

**ABB Components Ludvika, Sweden**

No.	Ur/ly	U / SI / AC	kV Ir	A 50/60 Hz
M	kg	L	mm	V
C1	pF	Tan δ	s	
C2	pF	Tan δ	s	

Based on	Reg. No.
Prepared Lövnord	Responsible department COM/BK
Approved Johansson	Take over department
Design engineering review Hedlund	Database
<b>ABB ABB Components</b>	

Title	Language
GOB 250-800-0.3 WITHOUT OIL LEVEL GAUGE SHORT END SHIELD	82
Page	Document No.
1(1)	2751369-111