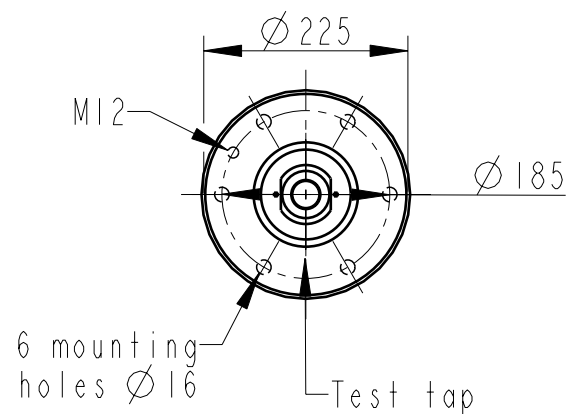
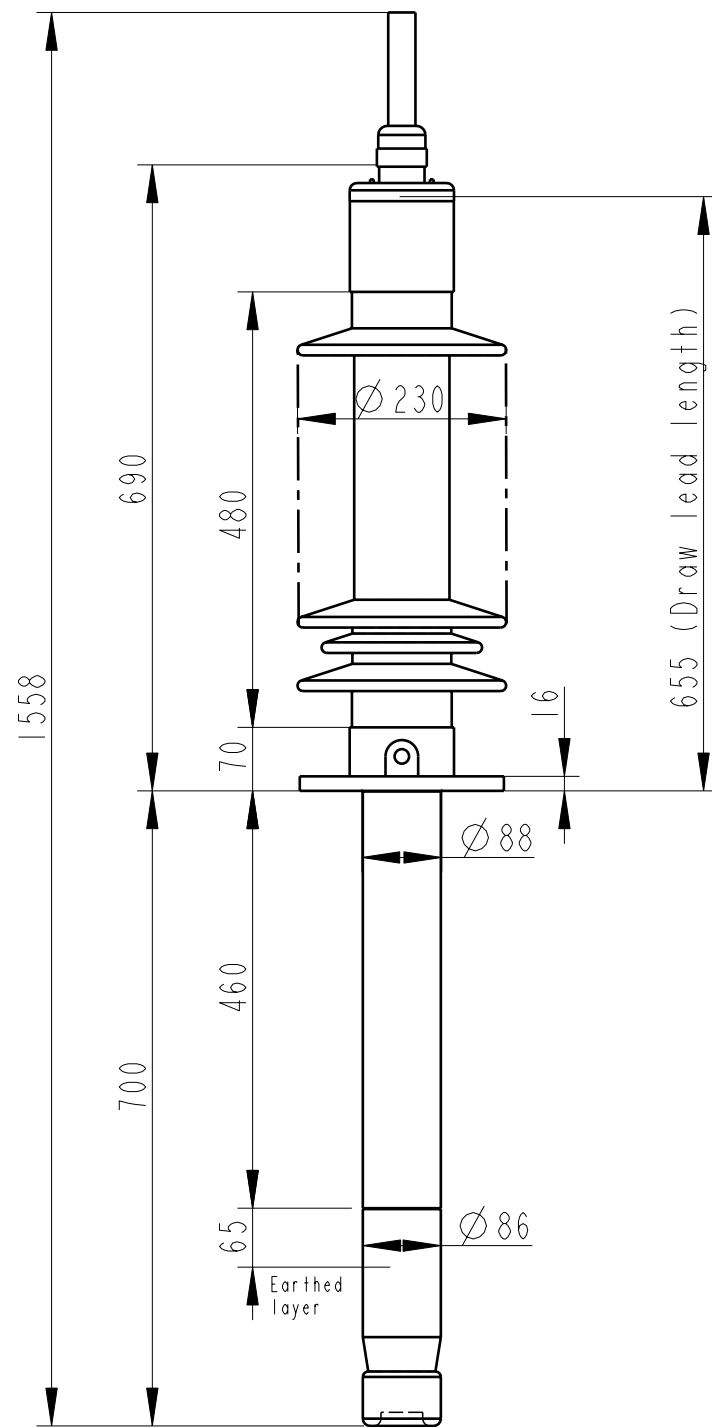
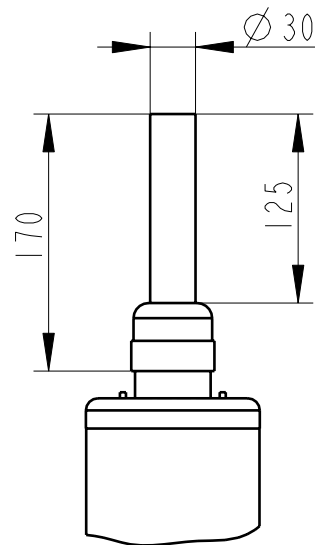


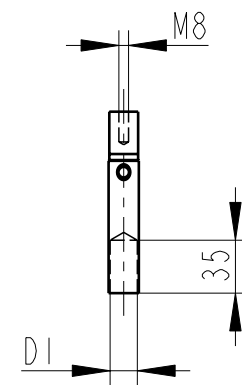
We reserve all rights in this document and in the information contained therein. Reproduction, use or disclosure to third parties without express authority is strictly forbidden. ©ABB



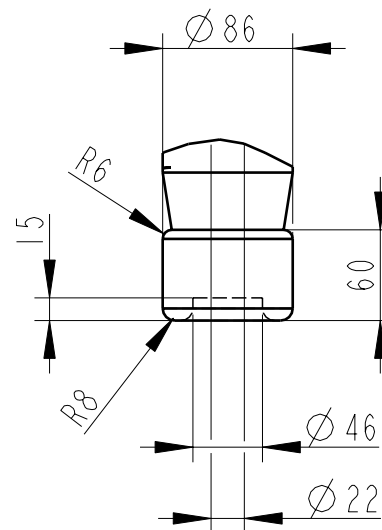
OUTER TERMINAL



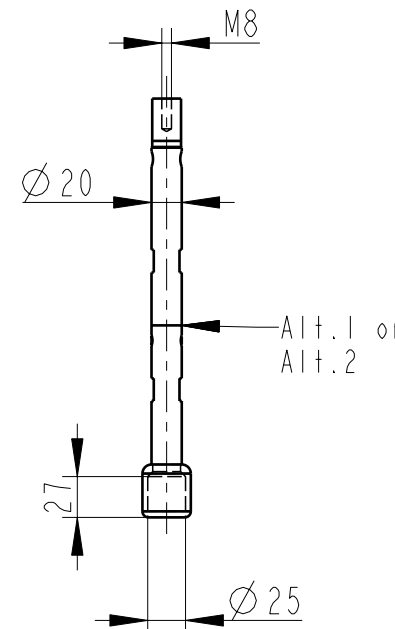
INNER TERMINAL FOR STRANDED CABLE



END SHIELD



SOLID ROD CONNECTOR



The solid rod can be divided either:
 Alt.1: 20mm below the bushing flange or
 Alt.2: 20mm below the upper end of the bottom porcelain

Bushing Data:

Rated Voltage	52	kV
Phase to Ground Voltage	52	kV
Dry Lightning Impulse 1,2/50μs	250	kV
Wet power frequency AC	105	kV
Routine test 1min dry 50Hz	120	kV
Rated Current	800	A
Creepage Distance	1500±50	mm
Creepage Distance Protected	580	mm
Mass	27	kg

Ordering Data:

BUSHING	COLOUR AIR INSULATOR	
LF123083-K	BROWN	
-L	LIGHT GREY	
OUTER TERMINAL		
LF 170 002-A	Cu, Ø 30, L=125	
LF 170 001-A	Al, Ø 30, L=125	
OTHER TYPES ON REQUEST		
INNER TERMINAL FOR STRANDED CABLE		
For brazing	Conductor area	D1
LF 170 011-S	up to 150mm ²	Ø18
LF 170 011-U	Undrilled with pilot hole	Ø5
For crimping or brazing	Conductor area	D1
LF 170 010-M	50mm ²	Ø11
LF 170 010-N	70mm ²	Ø13
LF 170 010-L	95mm ²	Ø15
SOLID ROD CONNECTOR		
LF 170 019 -E for Alt.1		
LF 170 019 -C for Alt.2		

ABB Components Ludvika, Sweden	
No.	
Ur/ty	
LI / SI / AC	kV lr A 50/60 Hz
M	kg L mm V
C1	pF Tan δ s
C2	pF Tan δ s

Based on	Reg. No.	Title	Language
Prepared	Responsible department		
Lövnord	COM/BK	GOB 250-800-0.5 WITHOUT OIL LEVEL GAUGE SHORT END SHIELD	82
Approved	Take over department		
Johansson			
Design engineering review	Database		Page
Hedlund			1(1)
ABB ABB Components		Document No.	2751369-113