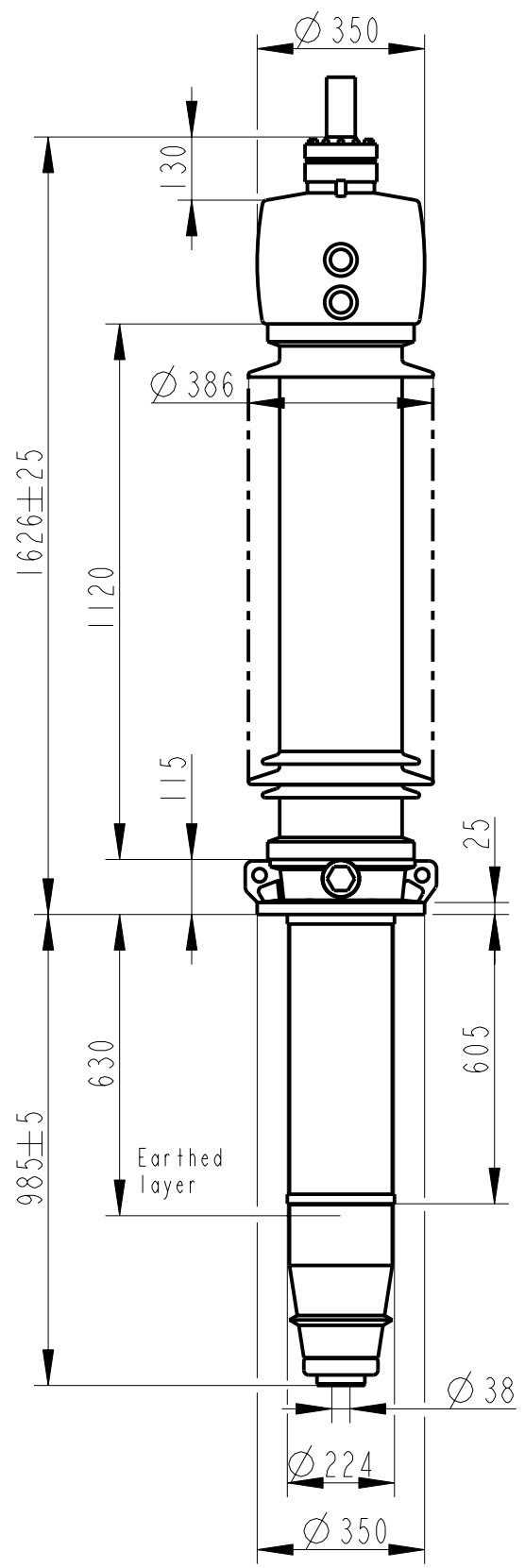


Rev	Ind	Revision	Appd	Date



### Bushing Data:

Rated Voltage	170	kV
Phase to-earth Voltage	123	kV
Dry Lightning Impulse 1,2/50µs	550	kV
Wet Switching Impulse	400	kV
Wet Power frequency AC	240	kV
Routine test Imin dry 50Hz	260	kV
Rated Current	5000	A
Creepage Distance	3355	mm
Mass	330	kg

### Ordering Data:

**BUSHING** COLOUR AIR INSULATOR  
 LF121053 -C / -AC BROWN / LIGHT GREY

**OUTER TERMINAL**

	H2	D2
	(mm)	(mm)
LF170 073-A Al	125	60
LF170 073-B Cu	125	60
LF170 073-G Cu/Ag	125	60

OTHER TYPES ON REQUEST

**END-SHIELD**  
 LF170 046-U EPOXY INSULATED  
 LF170 046-UP INSULATED WITH 3 mm PRESSBOARD

**DRAW ROD SYSTEM**

LF170 059	LOWER DRAW ROD WITH NI=4 OR NI=6
LF170 057	UPPER DRAW ROD

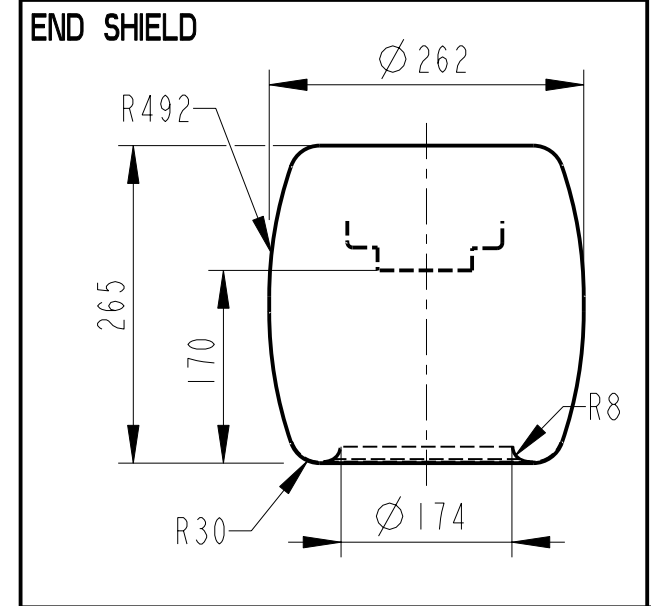
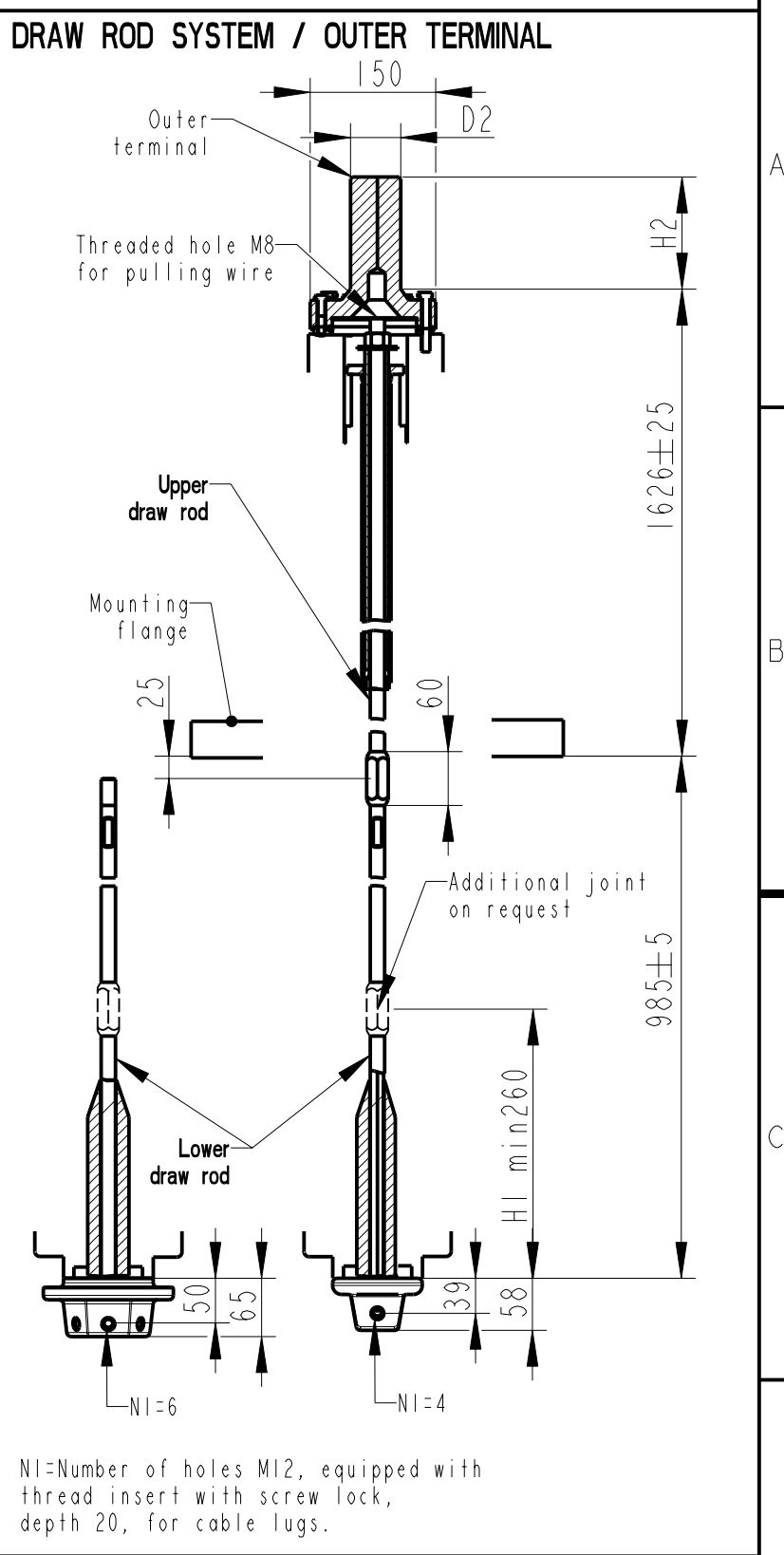
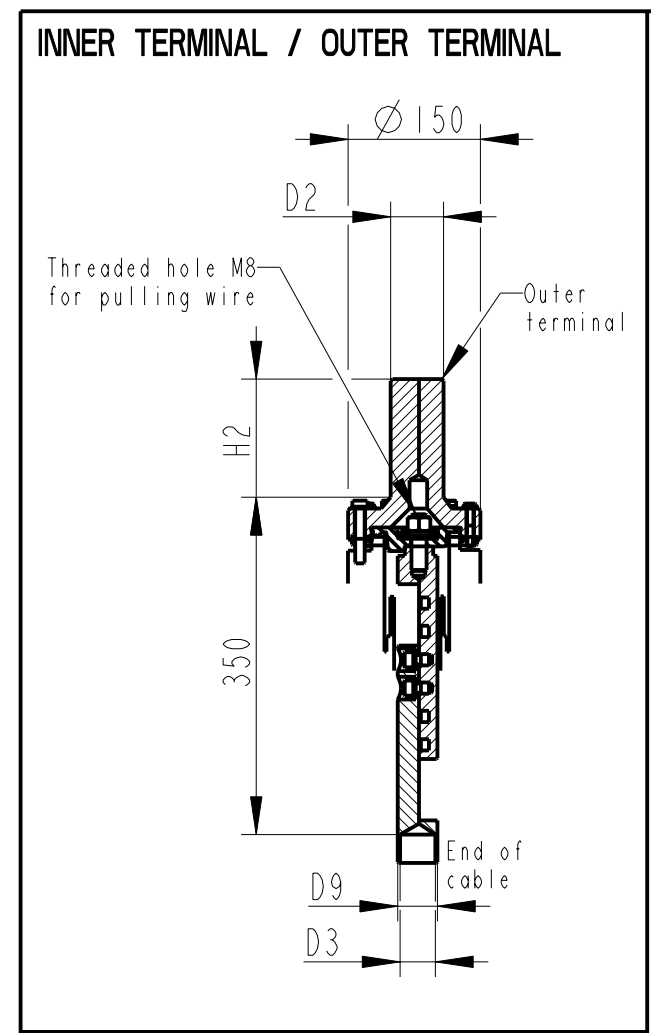
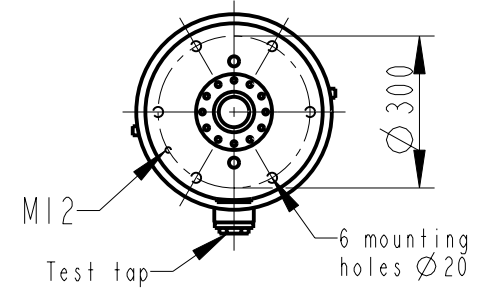
**INNER TERMINAL**

D3	D9	Cond. area	Current (A)		
(mm)	(mm)	(mm <sup>2</sup> )	IEC	IEEE	
LF170 056-A	0 *)	35	-	-	
LF170 056-B	15	35	95	390	370
LF170 056-C	30	35	285	1000	830

\*) WITH PILOT HOLE D=5

**ABB Components** Luleå, Sweden

Ur-ty	Nb	50-60 Hz
U	kV SI	kV AC
M	kg L	mm D
C1	pF Tanδ	;
C2	pF Tanδ	;



Based on	Reg. No.	Title	
Prepared Lövnord	Responsible department COM/BK 0022	<b>GOE-450-400-5000-0.6</b>	
Approved Johansson	Take over department		Language <b>82</b>
Design engineering review Gutman	Database		Page <b>1(1)</b>
<b>ABB</b> ABB Components		Document No.	<b>2751369-12</b>

We reserve all rights in this document and in the information contained therein. Reproduction, use or disclosure to third parties without express authority is strictly forbidden. ©ABB