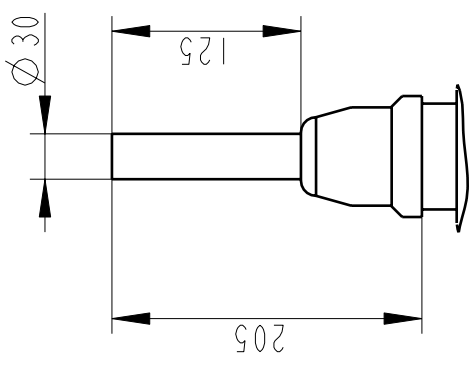
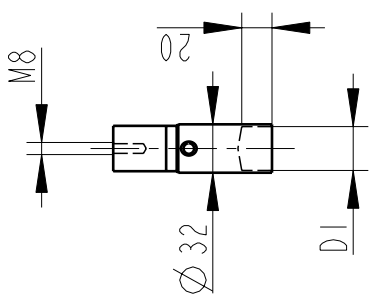


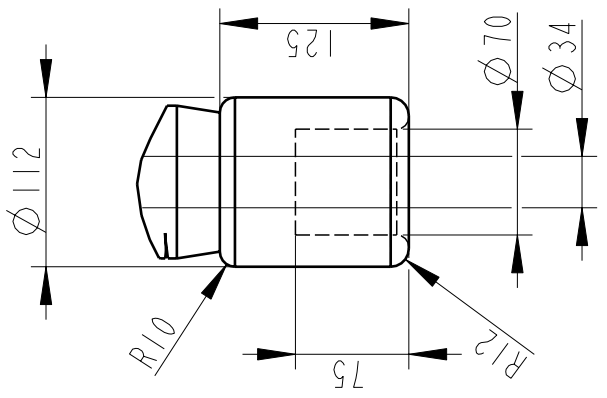
OUTER TERMINAL



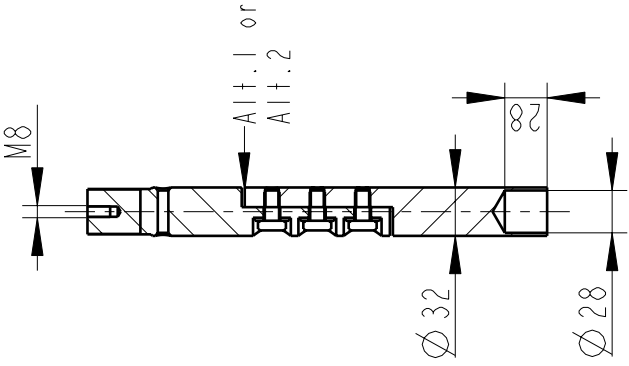
INNER TERMINAL FOR STRANDED CABLE



END SHIELD



SOLID ROD CONNECTOR



The solid rod can be divided either:
 Alt.1: 20mm below the bushing flange or
 Alt.2: 20mm below the upper end
 of the bottom porcelain

Bushing Data:

Rated Voltage	52	kV
Phase to Ground Voltage	52	kV
Dry Lightning Impulse 1,2/50µs	250	kV
Wet power frequency AC	105	kV
Routine test lmin dry 50Hz	120	kV
Rated Current	1250	A
Creepage Distance	1500±50	mm
Creepage Distance Protected	580	mm
Mass	31	kg

Ordering Data:

BUSHING	COLOUR AIR INSULATOR	
LF123085-M	BROWN	
-N	LIGHT GREY	
OUTER TERMINAL		
LF 170 002-B	Cu, Ø 30, L=125	
LF 170 001-B	Al, Ø 30, L=125	
OTHER TYPES ON REQUEST		
INNER TERMINAL FOR STRANDED CABLE		
For brazing	Conductor area	DI
LF 170 011-T	up to 285mm ²	Ø 29
LF 170 011-V	Undrilled with pilot hole Ø 5	
SOLID ROD CONNECTOR		
LF 170 052 -E for Alt.1		
LF 170 052 -C for Alt.2		

ABB Components Ludvika, Sweden	
No.	U / S / AC
U / S / AC	IV Ir A 50/60 Hz
M	kg L mm V
C1	pf Tan δ
C2	pf Tan δ

Based on	Reg. No.
Prepared	Responsible department
LÖVnord	COM/BK
Approved	Take over department
Johansson	Database
Design engineering review	
Hedlund	

Title	Language
GOB 250-1250-0.5	
WITHOUT OIL LEVEL GAUGE	
LONG END SHIELD	
Page	1(1)
Document No.	2751369-120

ABB ABB Components

We reserve all rights in this document and in the information contained therein. Reproduction, use or disclosure to third parties without express authority is strictly forbidden. © ABB