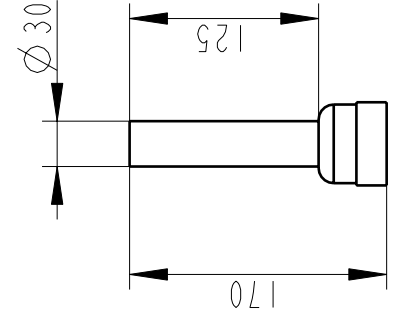
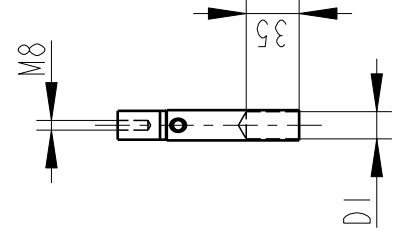


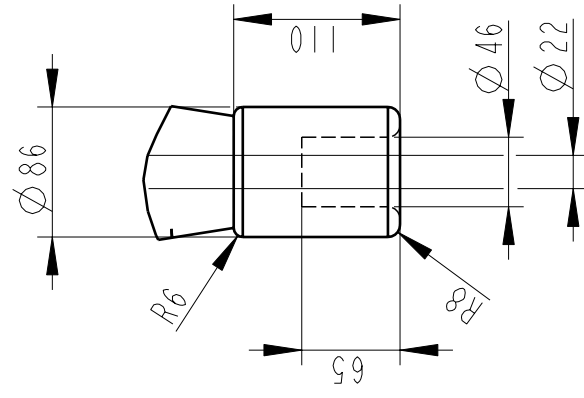
OUTER TERMINAL



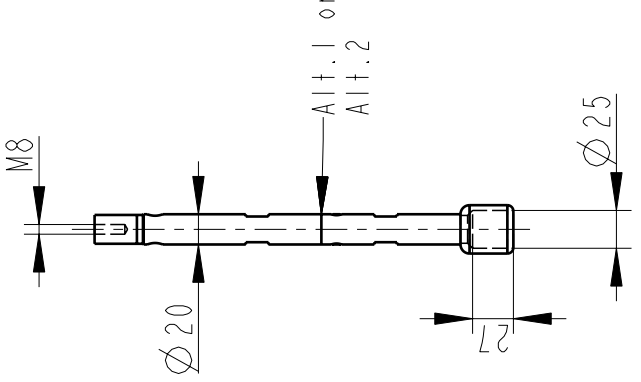
INNER TERMINAL FOR STRANDED CABLE



END SHIELD



SOLID ROD CONNECTOR



The solid rod can be divided either:
 Alt.1: 20mm below the bushing flange or
 Alt.2: 20mm below the upper end of the bottom porcelain

Bushing Data:

Rated Voltage	100	kV
Phase to Ground Voltage	72.5	kV
Dry Lightning Impulse 1,2/50µs	380	kV
Wet power frequency AC	150	kV
Routine test Imin dry 50Hz	162	kV
Rated Current	800	A
Creepage Distance	2210±70	mm
Creepage Distance Protected	870	mm
Mass	33	kg

Ordering Data:

BUSHING	COLOUR AIR INSULATOR	
LF123037-M	BROWN	
-N	LIGHT GREY	
OUTER TERMINAL		
LF 170 002-A	Cu, Ø30, L=125	
LF 170 001-A	Al, Ø30, L=125	
OTHER TYPES ON REQUEST		
INNER TERMINAL FOR STRANDED CABLE		
For brazing	Conductor area	DI
LF 170 011-S	up to 150mm ²	Ø18
LF 170 011-U	Undrilled with pilot hole Ø5	
For crimping or brazing	Conductor area	DI
LF 170 010-M	50mm ²	Ø11
LF 170 010-N	70mm ²	Ø13
LF 170 010-L	95mm ²	Ø15
SOLID ROD CONNECTOR		
LF 170 019 -M for Alt.1		
N/A for Alt.2		

ABB Components		Luvia, Sweden	
No.	kg	kV	A
Urdu	L	V	50/60 Hz
LI, SI, AC	mm	mm	kV
M	mm	mm	V
C1	mm	mm	mm
C2	mm	mm	mm

Based on	Reg. No.
Prepared	Responsible department
Lövnord	COM/BK
Approved	Take over department
Johansson	Database
Design engineering review	
Hedlund	

Title	Language
GOB 380-800-0	82
WITHOUT OIL LEVEL GAUGE	Page
LONG END SHIELD	I(1)

Document No.	2751369-128
--------------	-------------

ABB ABB Components

We reserve all rights in this document and in the information contained therein. Reproduction, use or disclosure to third parties without express authority is strictly forbidden. ©ABB