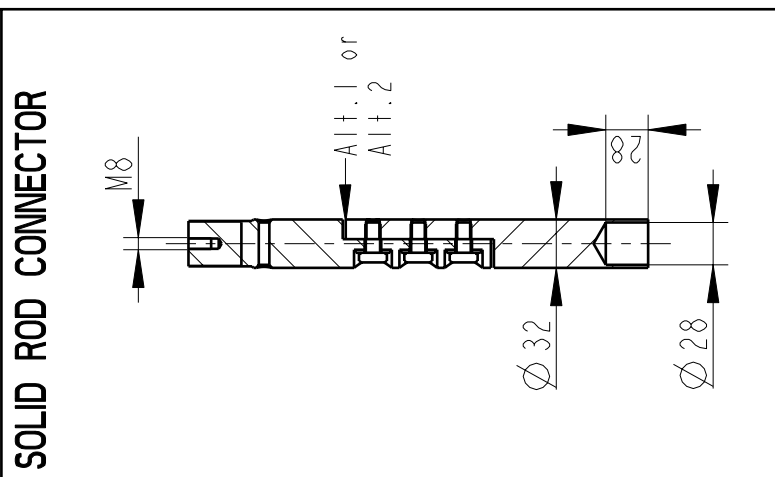
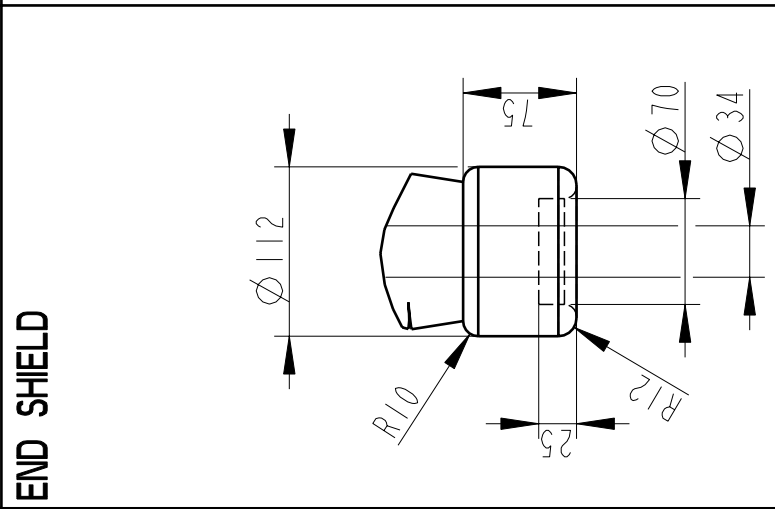


**Bushing Data:**

Rated Voltage	100	kV
Phase to Ground Voltage	72.5	kV
Dry Lightning Impulse 1,2/50µs	380	kV
Wet power frequency AC	150	kV
Routine test lmin dry 50Hz	162	kV
Rated Current	1250	A
Creepage Distance	2210±70	mm
Creepage Distance Protected	870	mm
Mass	37	kg



**Ordering Data:**

**BUSHING**  
 LF123041-K  
 -L  
 COLOUR AIR INSULATOR  
 BROWN  
 LIGHT GREY

**OUTER TERMINAL**  
 LF 170 002-B  
 LF 170 001-B  
 OTHER TYPES ON REQUEST  
 Cu, Ø30, L=125  
 Al, Ø30, L=125

**INNER TERMINAL FOR STRANDED CABLE**  
**For brazing**  
 LF 170 011-T  
 LF 170 011-V  
 Conductor area  
 up to 285mm<sup>2</sup>  
 Undrilled with pilot hole Ø5

**SOLID ROD CONNECTOR**  
 LF 170 052 -V for Alt.1  
 N/A for Alt.2

The solid rod can be divided either:  
 Alt.1: 20mm below the bushing flange or  
 Alt.2: 20mm below the upper end  
 of the bottom porcelain

**ABB Components**    **Ludvika, Sweden**

No.	U	S	AC	kV	r	A	50/60	Hz	IV	Ø
U	L	M	C1	kg	mm	mm	V	r	r	r
C2				pf	Tan δ					
				pf	Tan δ					

Based on	Reg. No.	Title
Prepared	Responsible department	GOB 380-1250-0
Lövnord	COM/BK	WITHOUT OIL LEVEL GAUGE
Approved	Take over department	SHORT END SHIELD
Johansson	Database	
Design engineering review		
Hedlund		
Document No.		2751369-133