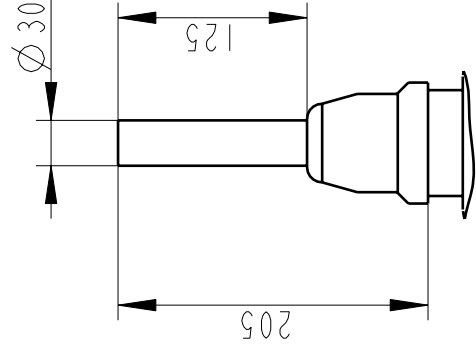
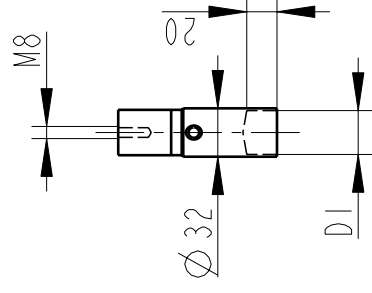


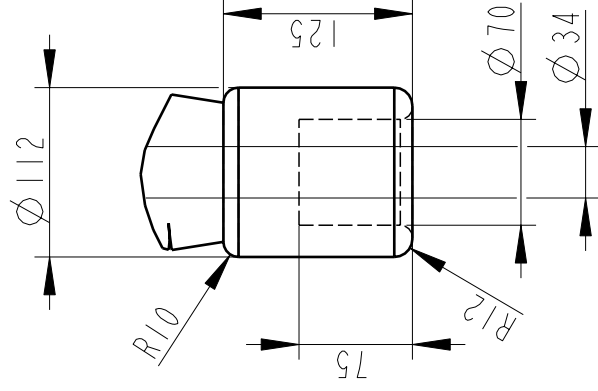
OUTER TERMINAL



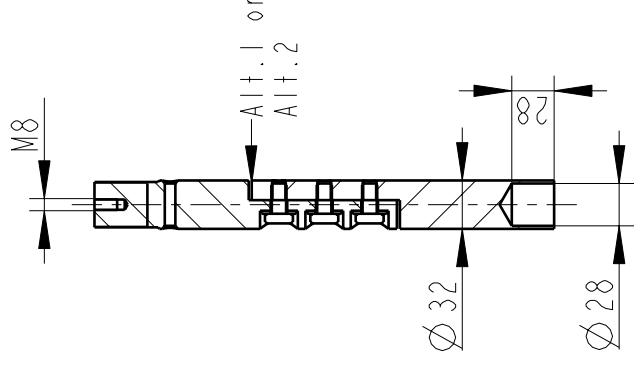
INNER TERMINAL FOR STRANDED CABLE



END SHIELD



SOLID ROD CONNECTOR



The solid rod can be divided either:
 Alt.1: 20mm below the bushing flange or
 Alt.2: 20mm below the upper end of the bottom porcelain

Bushing Data:

Rated Voltage	100	kV
Phase to Ground Voltage	72.5	kV
Dry Lightning Impulse 1,2/50µs	380	kV
Wet power frequency AC	150	kV
Routine test lmin dry 50Hz	162	kV
Rated Current	1250	A
Creepage Distance	2210±70	mm
Creepage Distance Protected	870	mm
Mass	39	kg

Ordering Data:

BUSHING COLOUR AIR INSULATOR

LF123043-M BROWN

-N LIGHT GREY

OUTER TERMINAL

LF 170 002-B Cu, Ø 30, L=125

LF 170 001-B Al, Ø 30, L=125

OTHER TYPES ON REQUEST

INNER TERMINAL FOR STRANDED CABLE

For brazing Conductor area DI

LF 170 011-T up to 285mm² Ø 29

LF 170 011-V Undrilled with pilot hole Ø 5

SOLID ROD CONNECTOR

LF 170 052 -Z for Alt.1

LF 170 052 -X for Alt.2

ABB Components Ludvika, Sweden	
No.	U / S / AC
U / S / AC	kv tr
M	kg L
C1	mm V
C2	pf Tan δ
	pf Tan δ
	z
	z

Based on	Reg. No.
Prepared	Responsible department
LÖVnord	COM/BK
Approved	Take over department
Johansson	Database
Design engineering review	
Hedlund	

Title	Language
GOB 380-1250-0.3	
WITHOUT OIL LEVEL GAUGE	
LONG END SHIELD	
Page	Page
	I(1)
Document No.	Document No.
2751369-136	

ABB ABB Components