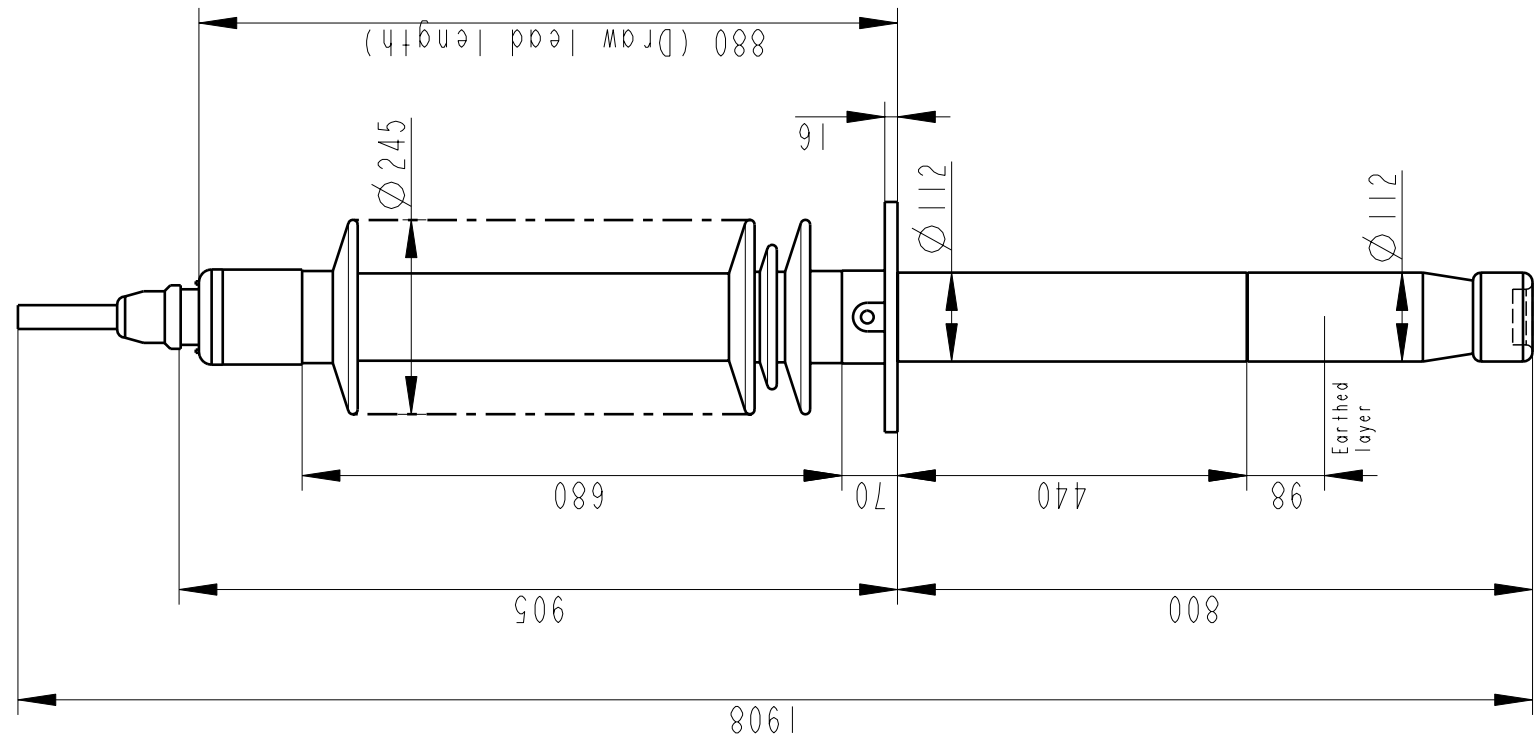
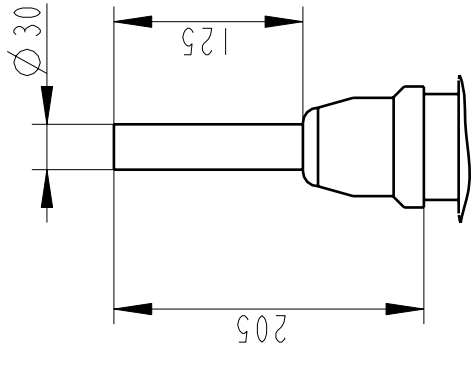


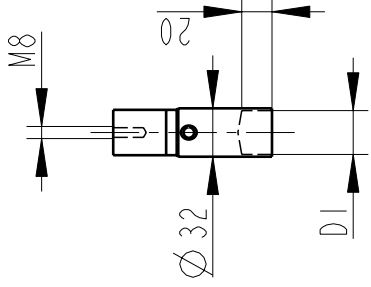
We reserve all rights in this document and in the information contained therein. Reproduction, use or disclosure to third parties without express authority is strictly forbidden.  
©ABB



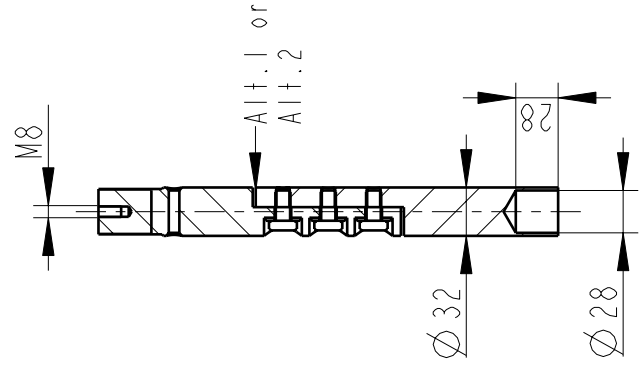
**OUTER TERMINAL**



**INNER TERMINAL FOR STRANDED CABLE**

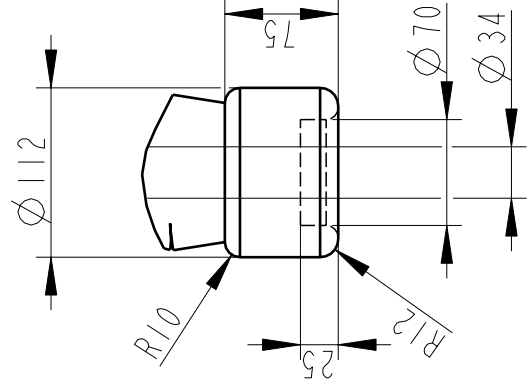


**SOLID ROD CONNECTOR**



The solid rod can be divided either:  
Alt.1: 20mm below the bushing flange or  
Alt.2: 20mm below the upper end of the bottom porcelain

**END SHIELD**



**Bushing Data:**

|                                |         |    |
|--------------------------------|---------|----|
| Rated Voltage                  | 100     | kV |
| Phase to Ground Voltage        | 72.5    | kV |
| Dry Lightning Impulse 1,2/50µs | 380     | kV |
| Wet power frequency AC         | 150     | kV |
| Routine test lmin dry 50Hz     | 162     | kV |
| Rated Current                  | 1250    | A  |
| Creepage Distance              | 2210±70 | mm |
| Creepage Distance Protected    | 870     | mm |
| Mass                           | 43      | kg |

**Ordering Data:**

|  |                               |
|--|-------------------------------|
| <b>BUSHING</b>                           | COLOUR AIR INSULATOR          |
| LF123097-K                               | BROWN                         |
| -L                                       | LIGHT GREY                    |
| <b>OUTER TERMINAL</b>                    |                               |
| LF 170 002-B                             | Cu, Ø 30, L=125               |
| LF 170 001-B                             | Al, Ø 30, L=125               |
| OTHER TYPES ON REQUEST                   |                               |
| <b>INNER TERMINAL FOR STRANDED CABLE</b> |                               |
| <b>For brazing</b>                       | Conductor area DI             |
| LF 170 011-T                             | up to 285mm <sup>2</sup> Ø 29 |
| LF 170 011-V                             | Undrilled with pilot hole Ø 5 |
| <b>SOLID ROD CONNECTOR</b>               |                               |
| LF 170 052-AA                            | for Alt.1                     |
| LF 170 052-Y                             | for Alt.2                     |

|                                       |                  |
|---------------------------------------|------------------|
| <b>ABB Components</b> Ludvika, Sweden |                  |
| No. U / S / AC                        | kV Ir A 50/60 Hz |
| M                                     | kg L mm V        |
| C1                                    | pf Tan δ         |
| C2                                    | pf Tan δ         |

|                           |                        |                          |
|---------------------------|------------------------|--------------------------|
| Based on                  | Reg. No.               | Title                    |
| Prepared                  | Responsible department | GOB 380-1250-0.5         |
| Lövnord                   | COM/BK                 | WITHOUT OIL LEVEL GAUGE  |
| Approved                  | Take over department   | SHORT END SHIELD         |
| Johansson                 | Database               |                          |
| Design engineering review |                        |                          |
| Hedlund                   |                        |                          |
| <b>ABB ABB Components</b> |                        | Document No. 2751369-137 |

