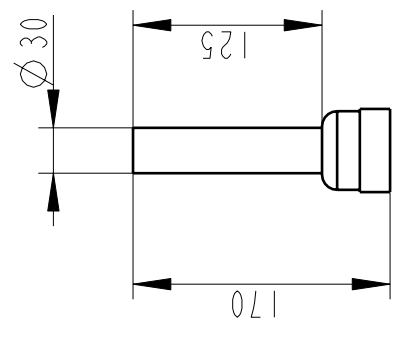
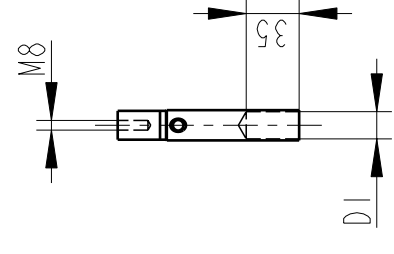


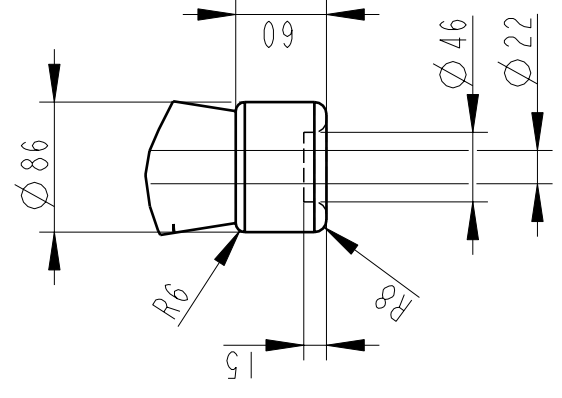
OUTER TERMINAL



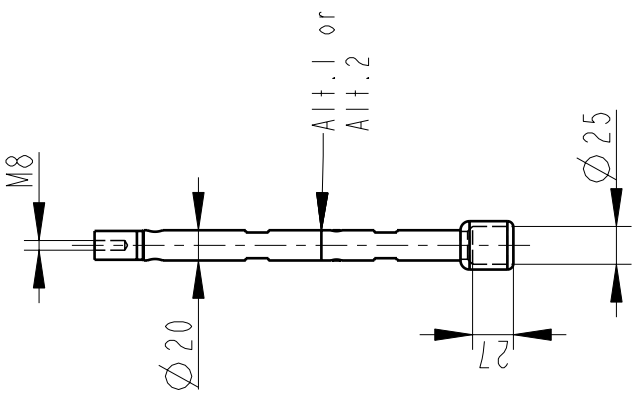
INNER TERMINAL FOR STRANDED CABLE



END SHIELD



SOLID ROD CONNECTOR



The solid rod can be divided either:
 Alt. 1: 20mm below the bushing flange or
 Alt. 2: 20mm below the upper end of the bottom porcelain

Bushing Data:

Rated Voltage	123	kV
Phase to Ground Voltage	90	kV
Dry Lightning Impulse 1,2/50 μ s	450	kV
Wet power frequency AC	185	kV
Routine test Imin dry 50Hz	195	kV
Rated Current	800	A
Creepage Distance	2720 \pm 80	mm
Creepage Distance Protected	1060	mm
Mass	45	kg

Ordering Data:

BUSHING	COLOUR AIR INSULATOR
LF123051-K	BROWN
-L	LIGHT GREY
OUTER TERMINAL	
LF 170 002-A	Cu, $\varnothing 30$, L=125
LF 170 001-A	Al, $\varnothing 30$, L=125
OTHER TYPES ON REQUEST	
INNER TERMINAL FOR STRANDED CABLE	
For brazing	Conductor area
LF 170 011-S	up to 150mm ² $\varnothing 18$
LF 170 011-U	Undrilled with pilot hole $\varnothing 5$
For crimping or brazing	Conductor area
LF 170 010-M	50mm ² $\varnothing 11$
LF 170 010-N	70mm ² $\varnothing 13$
LF 170 010-L	95mm ² $\varnothing 15$
SOLID ROD CONNECTOR	
LF 170 019 -BM for Alt.1	
LF 170 019 -BN for Alt.2	

ABB Components Luvia, Sweden	
No.	A 50/60 Hz kV
Urdu	kV
LI, SI, AC	mm V
M	kg L
C1	pF Tan δ
C2	pF Tan δ

Based on	Reg. No.
Prepared	Responsible department
Lövnord	COM/BK
Approved	Take over department
Johansson	Database
Design engineering review	
Hedlund	

Title	Language
GOB 450-800-0.3	82
WITHOUT OIL LEVEL GAUGE	Page
SHORT END SHIELD	I(1)

Document No.	2751369-141
--------------	-------------

ABB ABB Components

We reserve all rights in this document and in the information contained therein. Reproduction, use or disclosure to third parties without express authority is strictly forbidden. ©ABB