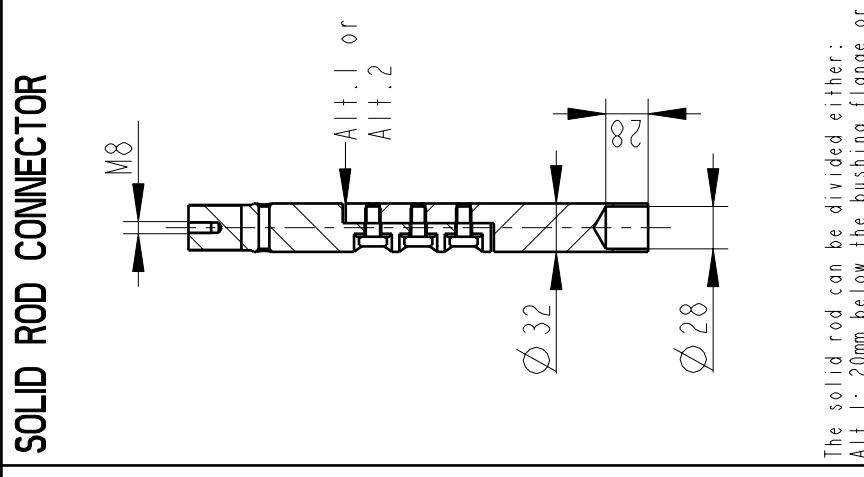
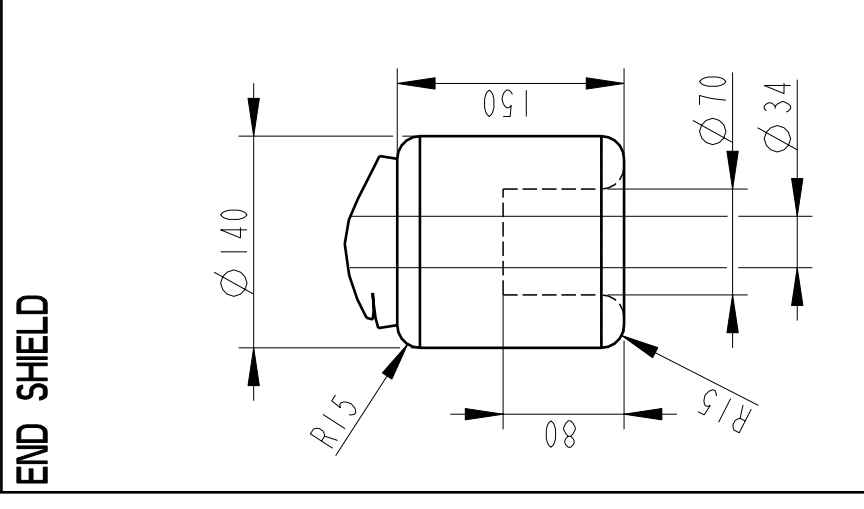


Bushing Data:

Rated Voltage	170	kV
Phase to Ground Voltage	123	kV
Dry Lightning Impulse 1,2/50µs	550	kV
Wet power frequency AC	230	kV
Routine test lmin dry 50Hz	260	kV
Rated Current	1250	A
Creepage Distance	3430±100	mm
Creepage Distance Protected	1350	mm
Mass	115	kg



Ordering Data:

BUSHING
 LF123109-M
 -N
 COLOUR AIR INSULATOR
 BROWN
 LIGHT GREY

OUTER TERMINAL
 LF 170 002-B
 LF 170 001-B
 OTHER TYPES ON REQUEST
 Cu, Ø30, L=125
 Al, Ø30, L=125

INNER TERMINAL FOR STRANDED CABLE
For brazing
 LF 170 011-T
 LF 170 011-V
 Conductor area
 up to 285mm²
 Undrilled with pilot hole Ø5

SOLID ROD CONNECTOR
 LF 170 052 -AR for Alt.1
 LF 170 052 -AS for Alt.2

ABB Components **Ludvika, Sweden**

No.	U	S	AC	kV	tr	A	50/60	Hz	kV
U	L	M	C1	kg	L	mm	V		
C2				pf	Tan δ				
				pf	Tan δ				

Based on	Reg. No.	Title
Prepared	Responsible department	GOB 550-1250-0.5
LÖVnord	COM/BK	WITHOUT OIL LEVEL GAUGE
Approved	Take over department	LONG END SHIELD
Johansson	Database	
Design engineering review		
Hedlund		
Document No.		2751369-156
Page		1(1)
Language		

We reserve all rights in this document and in the information contained therein. Reproduction, use or disclosure to third parties without express authority is strictly forbidden. ©ABB