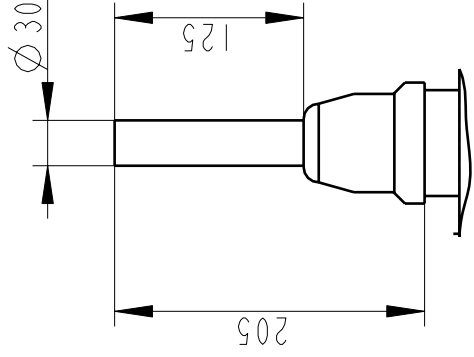
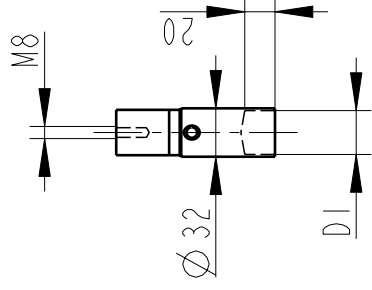


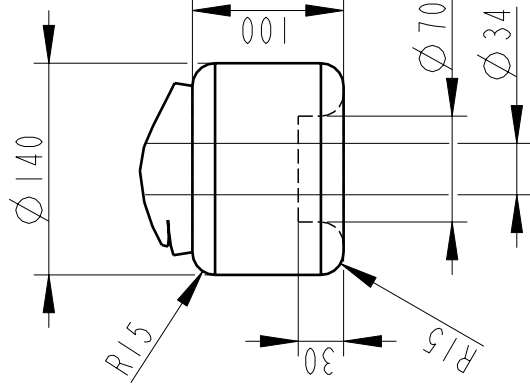
**OUTER TERMINAL**



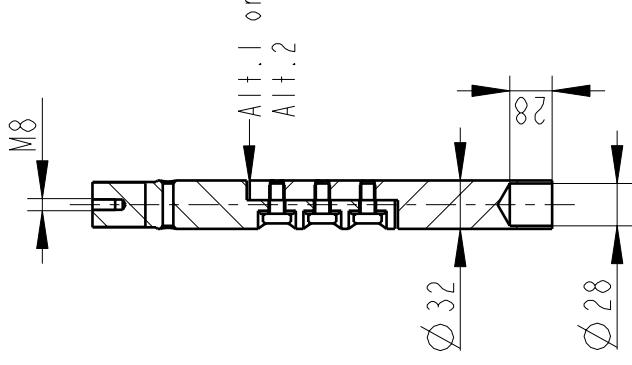
**INNER TERMINAL FOR STRANDED CABLE**



**END SHIELD**



**SOLID ROD CONNECTOR**



The solid rod can be divided either:  
 Alt.1: 20mm below the bushing flange or  
 Alt.2: 20mm below the upper end  
 of the bottom porcelain

**Bushing Data:**

Rated Voltage	170	kV
Phase to Ground Voltage	145	kV
Dry Lightning Impulse 1,2/50µs	650	kV
Wet power frequency AC	275	kV
Routine test Imin dry 50Hz	300	kV
Rated Current	1250	A
Creepage Distance	4080±110	mm
Creepage Distance Protected	1620	mm
Mass	116	kg

**Ordering Data:**

**BUSHING** COLOUR AIR INSULATOR

LF123073-K BROWN  
 -L LIGHT GREY

**OUTER TERMINAL**

LF 170 002-B Cu, Ø 30, L=125  
 LF 170 001-B Al, Ø 30, L=125

OTHER TYPES ON REQUEST

**INNER TERMINAL FOR STRANDED CABLE**

**For brazing** Conductor area DI  
 LF 170 011-T up to 285mm<sup>2</sup> Ø 29  
 LF 170 011-V Undrilled with pilot hole Ø 5

**SOLID ROD CONNECTOR**

LF 170 052 -F for Alt.1  
 N/A for Alt.2

<b>ABB Components</b> Ludvika, Sweden	
No.	U / S / AC
U	kV
S	tr
AC	Hz
kg	L
mm	V
pf	Tan δ
pf	Tan δ

Based on	Reg. No.
Prepared	Responsible department
Lövnord	COM/BK
Approved	Take over department
Johansson	Database
Design engineering review	
Hedlund	

Title	GOB 650-1250-0
WITHOUT OIL LEVEL GAUGE	
SHORT END SHIELD	
Page	1(1)
Document No.	2751369-157

**ABB** ABB Components

We reserve all rights in this document and in the information contained therein. Reproduction, use or disclosure to third parties without express authority is strictly forbidden.  
 © ABB