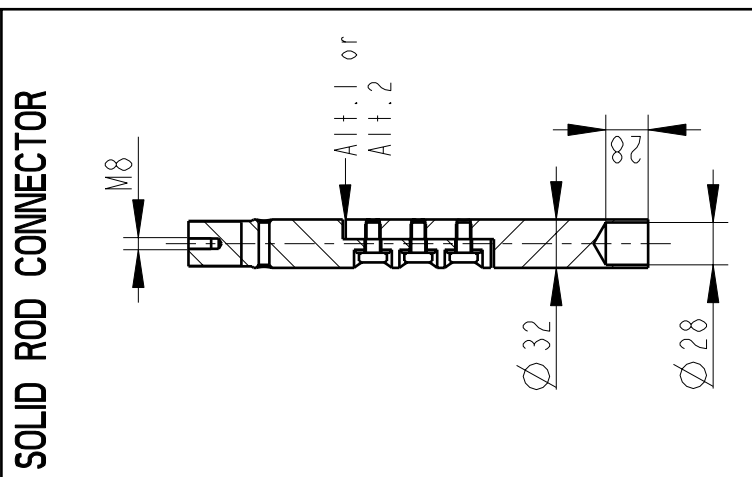
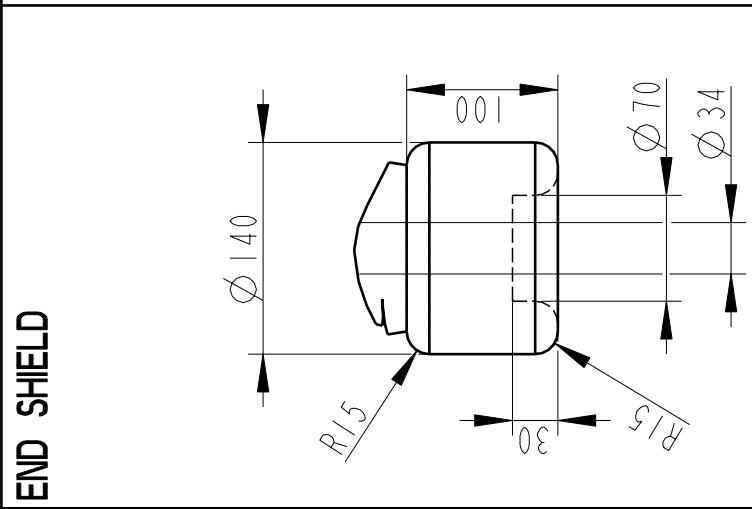


Bushing Data:

Rated Voltage	170	kV
Phase to Ground Voltage	170	kV
Dry Lightning Impulse 1,2/50µs	750	kV
Wet power frequency AC	325	kV
Routine test 1min dry 50Hz	350	kV
Rated Current	1250	A
Creepage Distance	4800±150	mm
Creepage Distance Protected	1700	mm
Mass	190	kg



Ordering Data:

BUSHING
 LF123078-K
 -L
 COLOUR AIR INSULATOR
 BROWN
 LIGHT GREY

OUTER TERMINAL
 LF 170 002-B
 LF 170 001-B
 OTHER TYPES ON REQUEST
 Cu, Ø30, L=125
 Al, Ø30, L=125

INNER TERMINAL FOR STRANDED CABLE
For brazing
 LF 170 011-T
 LF 170 011-V
 Conductor area
 up to 285mm²
 Undrilled with pilot hole Ø5

SOLID ROD CONNECTOR
 LF 170 052 -R for Alt.1
 LF 170 052 -N for Alt.2

The solid rod can be divided either:
 Alt.1: 20mm below the bushing flange or
 Alt.2: 20mm below the upper end
 of the bottom porcelain

ABB Components **Ludvika, Sweden**

No.	U	S	AC	kV	tr	A	50/60	Hz	kV
U	L	M	C1	C2	kg	mm	V	r	r
					pf	Tan δ	r	r	r
					pf	Tan δ	r	r	r

Based on	Reg. No.	Title
Prepared	Responsible department	GOB 750-1250-0.3
Lövnord	COM/BK	WITHOUT OIL LEVEL GAUGE
Approved	Take over department	SHORT END SHIELD
Johansson	Database	
Design engineering review		
Hedlund		
Document No.		2751369-165
Page		1(1)
Language		

We reserve all rights in this document and in the information contained therein. Reproduction, use or disclosure to third parties without express authority is strictly forbidden.
 ©ABB