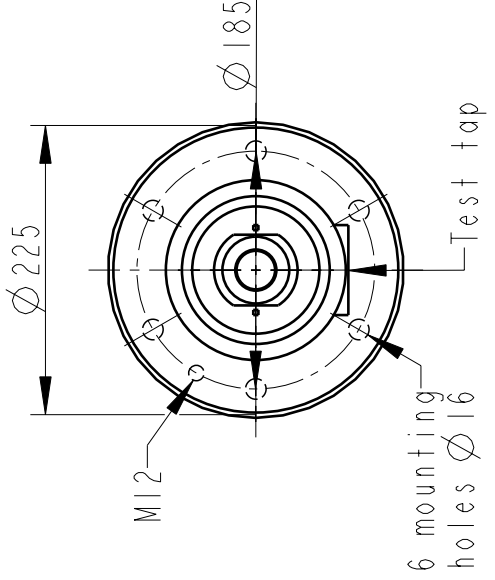
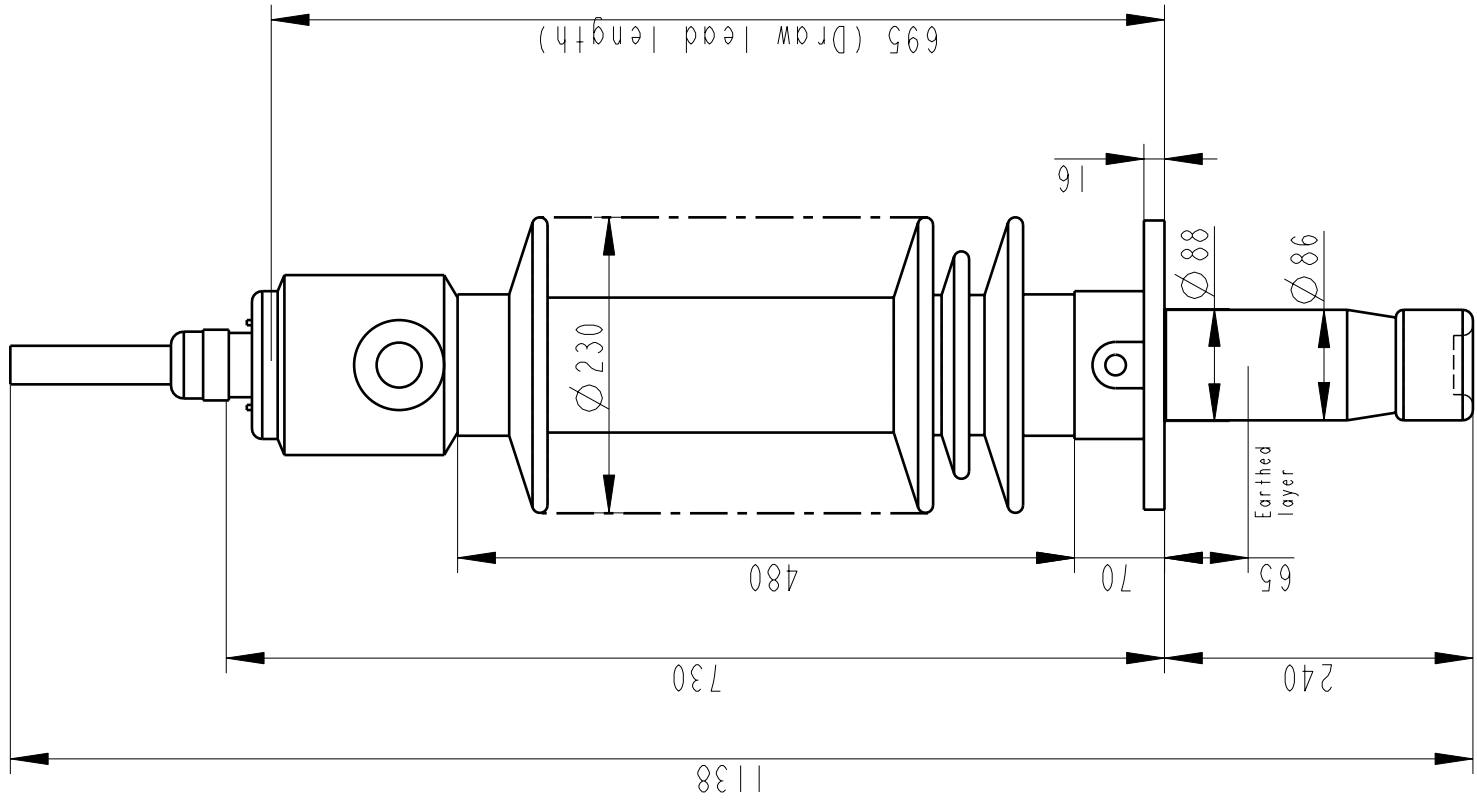
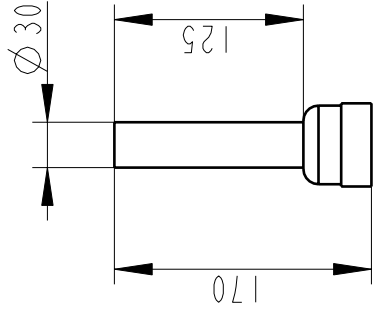


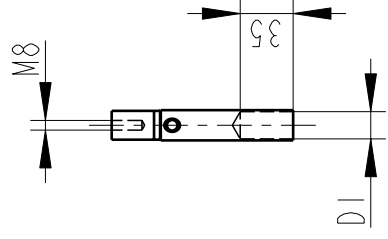
1 2 3 4 5 6



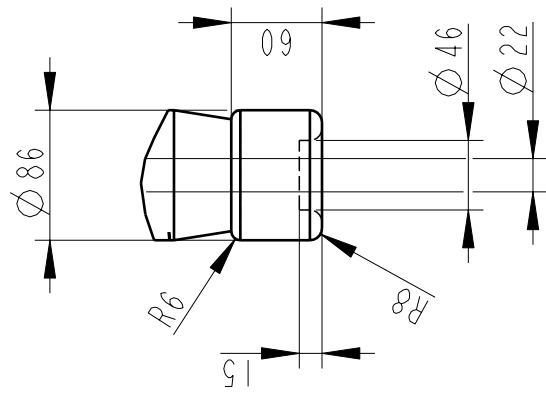
### OUTER TERMINAL



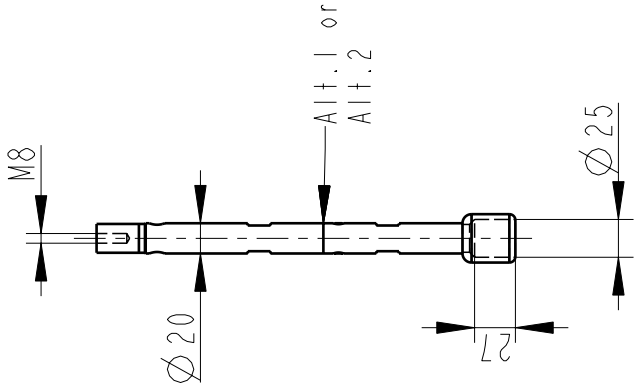
### INNER TERMINAL FOR STRANDED CABLE



### END SHIELD



### SOLID ROD CONNECTOR



The solid rod can be divided either:  
 Alt.1: 20mm below the bushing flange or  
 Alt.2: 20mm below the upper end of the bottom porcelain

### Bushing Data:

Rated Voltage	52 kV
Phase to Ground Voltage	52 kV
Dry Lightning Impulse 1,2/50 $\mu$ s	250 kV
Wet power frequency AC	105 kV
Routine test Imin dry 50Hz	120 kV
Rated Current	800 A
Creepage Distance	1500 $\pm$ 50 mm
Creepage Distance Protected	580 mm
Mass	24 kg

### Ordering Data:

**BUSHING** COLOUR AIR INSULATOR

LF123171-K BROWN  
 -L LIGHT GREY

### OUTER TERMINAL

LF 170 002-A Cu,  $\phi 30$ , L=125  
 LF 170 001-A Al,  $\phi 30$ , L=125

OTHER TYPES ON REQUEST

### INNER TERMINAL FOR STRANDED CABLE

**For brazing**  
 LF 170 011-S Conductor area  $\phi 18$   
 up to 150mm<sup>2</sup>  
 LF 170 011-U Undrilled with pilot hole  $\phi 5$   
 Conductor area  $\phi 11$   
**For crimping or brazing**  
 LF 170 010-M Conductor area 50mm<sup>2</sup>  
 LF 170 010-N Conductor area 70mm<sup>2</sup>  
 LF 170 010-L Conductor area 95mm<sup>2</sup>

### SOLID ROD CONNECTOR

LF 170 019 -AM for Alt.1  
 N/A for Alt.2

ABB Components		Luvia, Sweden	
No.	kg	kV	A 50/60 Hz
Urdu	L	V	kV
LI, SI, AC	mm		
M	mm		
C1	Tan $\delta$		
C2	Tan $\delta$		

Based on	Reg. No.
Prepared	Responsible department
Lövnord	COM/BK
Approved	Take over department
Johansson	Database
Design engineering review	
Hedlund	

Title		Language	
GOB 250-800-0		82	
WITH OIL LEVEL GAUGE		Page	
SHORT END SHIELD		1(1)	

**ABB ABB Components**

Document No. 2751369-169

We reserve all rights in this document and in the information contained therein. Reproduction, use or disclosure to third parties without express authority is strictly forbidden.  
 ©ABB