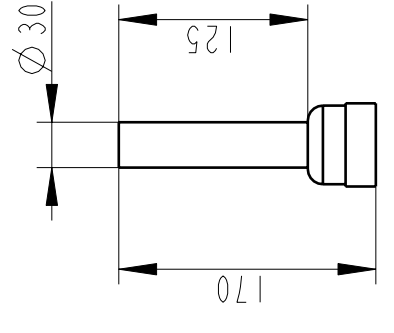
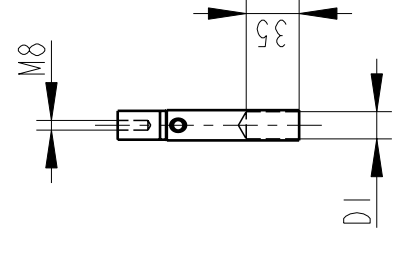


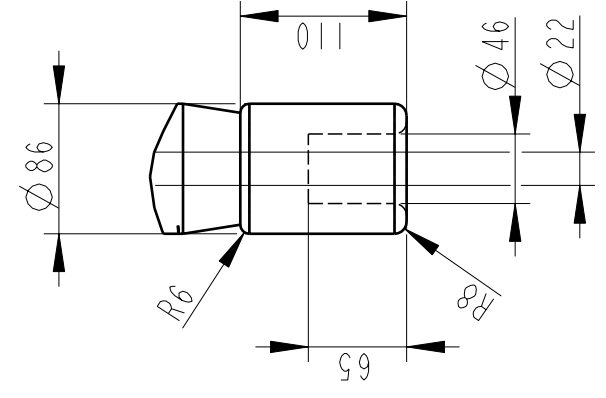
**OUTER TERMINAL**



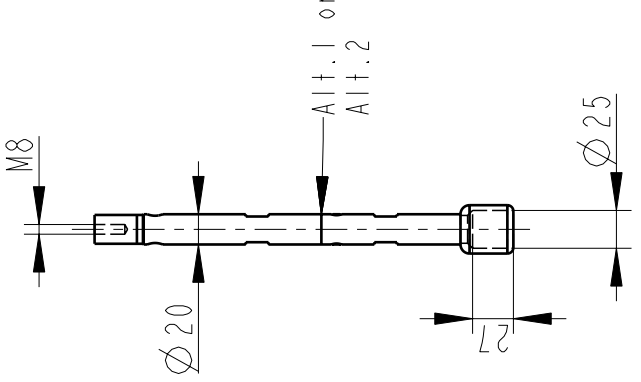
**INNER TERMINAL FOR STRANDED CABLE**



**END SHIELD**



**SOLID ROD CONNECTOR**



The solid rod can be divided either:  
 Alt. 1: 20mm below the bushing flange or  
 Alt. 2: 20mm below the upper end of the bottom porcelain

**Bushing Data:**

|                                |            |
|--------------------------------|------------|
| Rated Voltage                  | 52 kV      |
| Phase to Ground Voltage        | 52 kV      |
| Dry Lightning Impulse 1,2/50µs | 250 kV     |
| Wet power frequency AC         | 105 kV     |
| Routine test Imin dry 50Hz     | 120 kV     |
| Rated Current                  | 800 A      |
| Creepage Distance              | 1500±50 mm |
| Creepage Distance Protected    | 580 mm     |
| Mass                           | 26 kg      |

**Ordering Data:**

|  |                              |
|--|------------------------------|
| <b>BUSHING</b>                           | COLOUR AIR INSULATOR         |
| LF123173-M                               | BROWN                        |
| -N                                       | LIGHT GREY                   |
| <b>OUTER TERMINAL</b>                    |                              |
| LF 170 002-A                             | Cu, Ø30, L=125               |
| LF 170 001-A                             | Al, Ø30, L=125               |
| OTHER TYPES ON REQUEST                   |                              |
| <b>INNER TERMINAL FOR STRANDED CABLE</b> |                              |
| <b>For brazing</b>                       | Conductor area               |
| LF 170 011-S                             | up to 150mm <sup>2</sup> Ø18 |
| LF 170 011-U                             | Undrilled with pilot hole Ø5 |
| <b>For crimping or brazing</b>           | Conductor area               |
| LF 170 010-M                             | 50mm <sup>2</sup> Ø11        |
| LF 170 010-N                             | 70mm <sup>2</sup> Ø13        |
| LF 170 010-L                             | 95mm <sup>2</sup> Ø15        |
| <b>SOLID ROD CONNECTOR</b>               |                              |
| LF 170 019 -AS for Alt.1                 |                              |
| LF 170 019 -AT for Alt.2                 |                              |

|                                     |    |       |    |          |
|-------------------------------------|----|-------|----|----------|
| <b>ABB Components</b> Luvia, Sweden |    |       |    |          |
| No.                                 | kg | kV    | A  | 50/60 Hz |
| Urdu                                | L  | V     | V  | kV       |
| LI / SI / AC                        | mm |       |    |          |
| M                                   | kg | L     | mm | V        |
| C1                                  | pF | Tan δ |    |          |
| C2                                  | pF | Tan δ |    |          |

|                           |                        |                      |
|---------------------------|------------------------|----------------------|
| Based on                  | Reg. No.               | Title                |
| Prepared                  | Responsible department | GOB 250-800-0.3      |
| Lövnord                   | COM/BK                 | WITH OIL LEVEL GAUGE |
| Approved                  | Take over department   | LONG END SHIELD      |
| Johansson                 | Database               |                      |
| Design engineering review |                        |                      |
| Hedlund                   |                        |                      |

**ABB** ABB Components

Document No. 2751369-172

We reserve all rights in this document and in the information contained therein. Reproduction, use or disclosure to third parties without express authority is strictly forbidden. ©ABB