

Bushing Data:

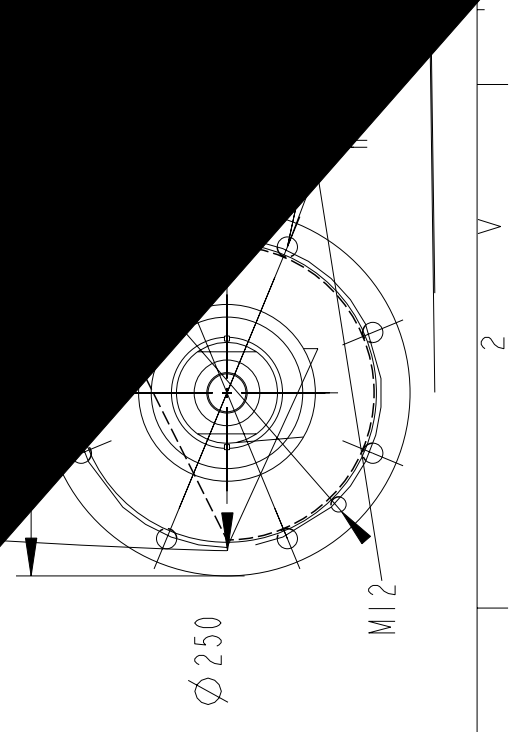
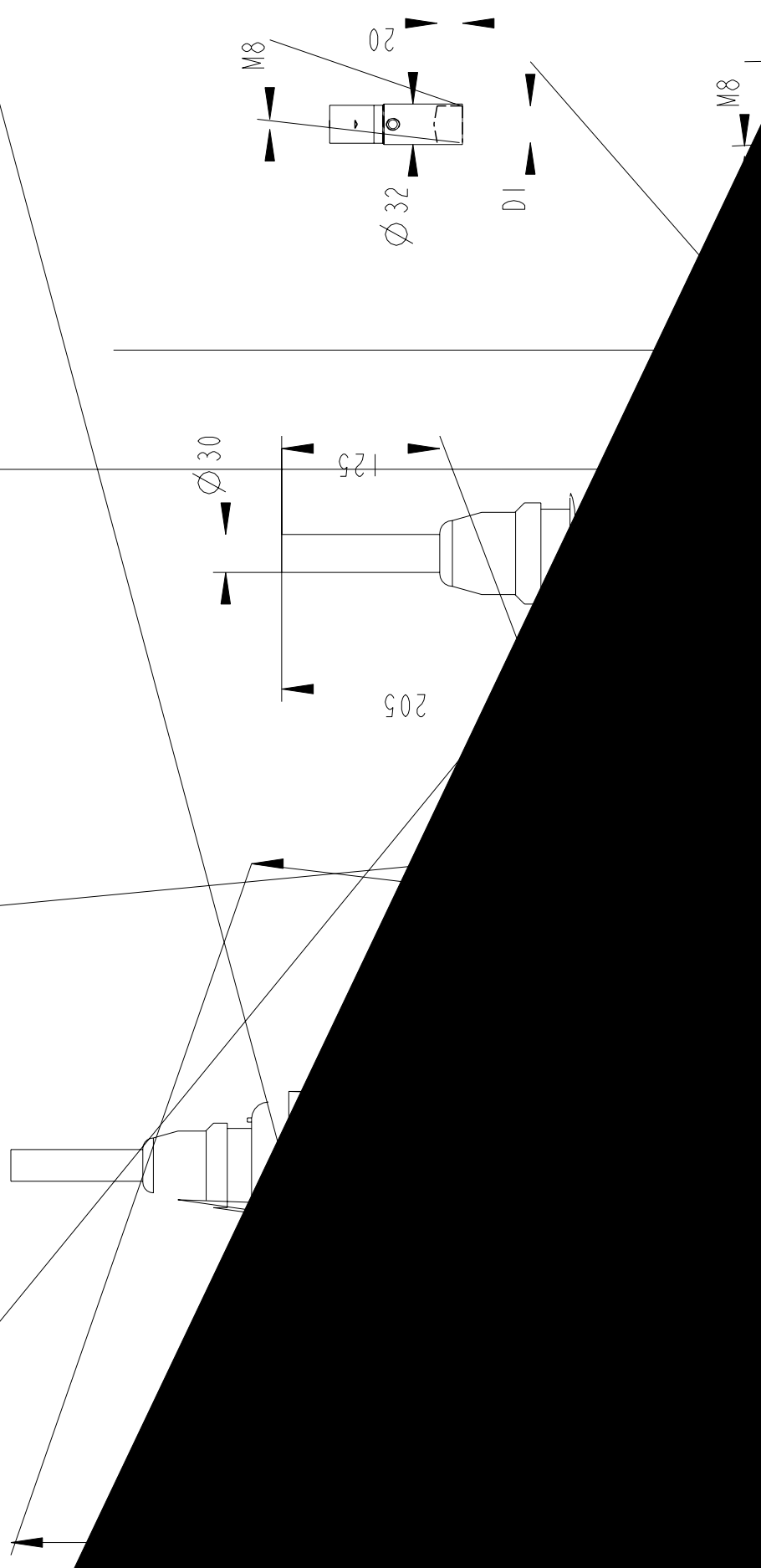
| | |
|--------------------------------|------------|
| Rated Voltage | 52 kV |
| Phase to Ground Voltage | 52 kV |
| Dry Lightning Impulse 1,2/50µs | 250 kV |
| Wet power frequency AC | 105 kV |
| Routine test lmin dry 50Hz | 120 kV |
| Rated Current | 1250 A |
| Creepage Distance | 1500±50 mm |
| Creepage Distance Protected | 580 mm |
| Mass | 28 kg |

Ordering Data:

BUSHING
 COLOUR AIR INSULATOR
 BROWN
 LF123167-K
 -L

OUTER TERMINAL

LF 170 002-B



Title
 OB 250 -
 TH OIL LEVEL
 CR END SH

Document
 Content

Part No.