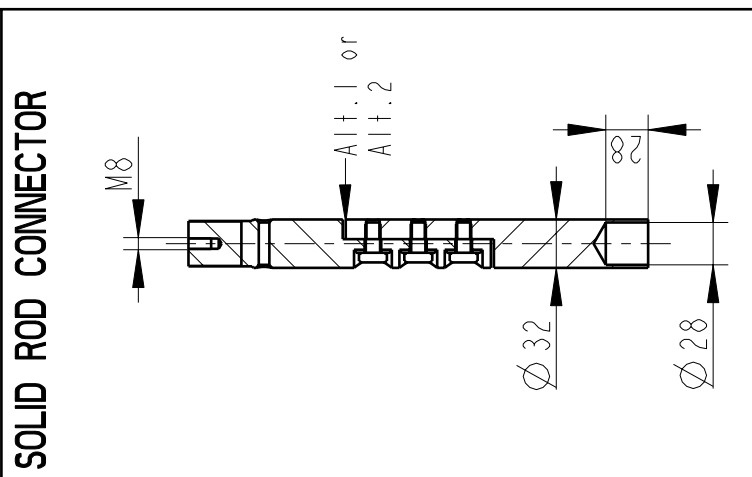
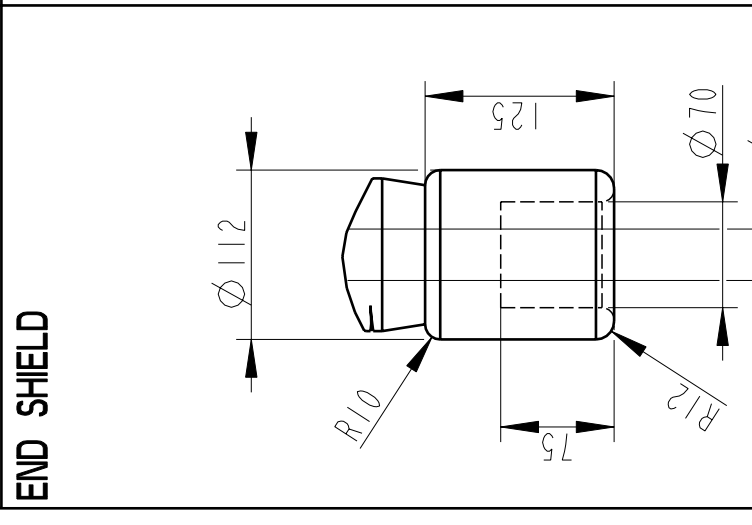


Bushing Data:

Rated Voltage	52 kV
Phase to Ground Voltage	52 kV
Dry Lightning Impulse 1,2/50µs	250 kV
Wet power frequency AC	105 kV
Routine test lmin dry 50Hz	120 kV
Rated Current	1250 A
Creepage Distance	1500±50 mm
Creepage Distance Protected	580 mm
Mass	28 kg



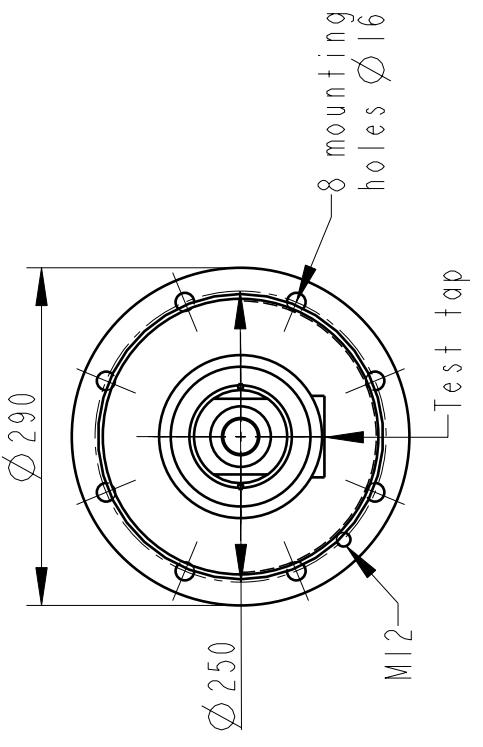
Ordering Data:

BUSHING
LF123167-M
-N
COLOUR AIR INSULATOR
BROWN
LIGHT GREY

OUTER TERMINAL
LF 170 002-B
Cu, Ø30, L=125
LF 170 001-B
Al, Ø30, L=125
OTHER TYPES ON REQUEST

INNER TERMINAL FOR STRANDED CABLE
For brazing
Conductor area
DI
LF 170 011-T
up to 285mm² Ø29
LF 170 011-V
Undrilled with pilot hole Ø5

SOLID ROD CONNECTOR
LF 170 052 -BC for Alt.1
N/A for Alt.2



The solid rod can be divided either:
Alt.1: 20mm below the bushing flange or
Alt.2: 20mm below the upper end
of the bottom porcelain

ABB Components Luleå, Sweden

No.	U, S, AC	kV	L	mm	V	r
U	kg	L	mm	V	r	r
C1	pF	Tan δ	r	r	r	r
C2	pF	Tan δ	r	r	r	r
		A	50/60 Hz			
			kV			

Based on	Reg. No.	Title	Page
Prepared	Responsible department	GOB 250-1250-0	I(1)
Lövnord	COM/BK	WITH OIL LEVEL GAUGE	
Approved	Take over department	LONG END SHIELD	
Johansson	Database		
Design engineering review			
Hedlund			
ABB ABB Components		Document No.	2751369-176