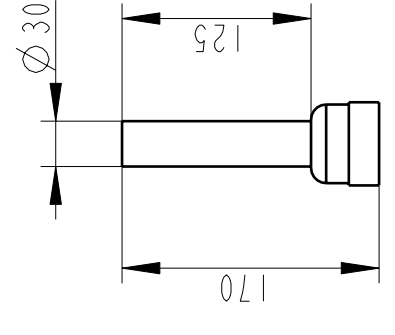
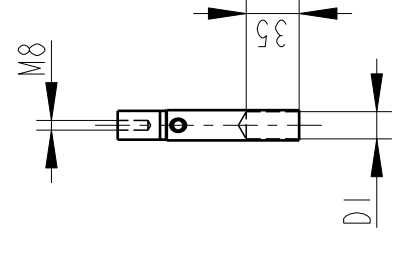


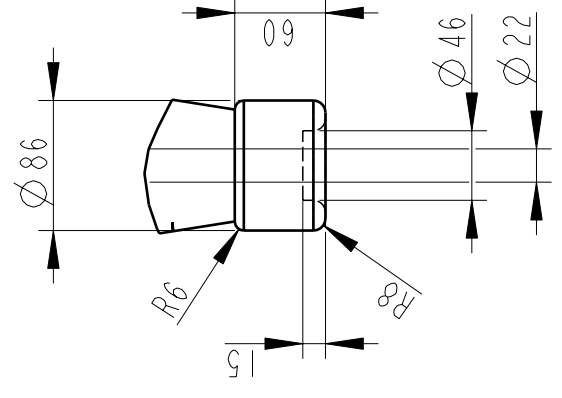
OUTER TERMINAL



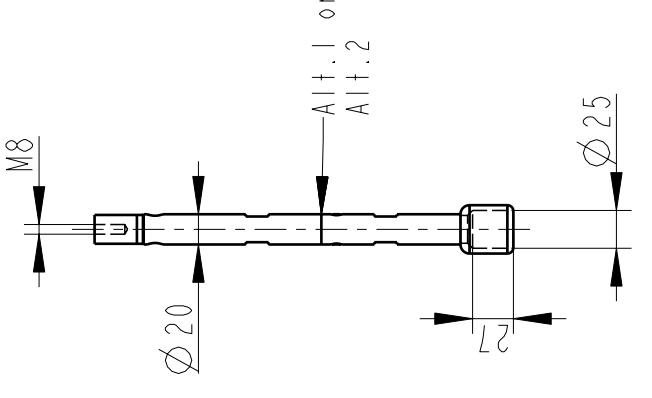
INNER TERMINAL FOR STRANDED CABLE



END SHIELD



SOLID ROD CONNECTOR



The solid rod can be divided either:
 Alt.1: 20mm below the bushing flange or
 Alt.2: 20mm below the upper end of the bottom porcelain

Bushing Data:

Rated Voltage	72.5	kV
Phase to Ground Voltage	72.5	kV
Dry Lightning Impulse 1,2/50µs	350	kV
Wet power frequency AC	140	kV
Routine test Imin dry 50Hz	160	kV
Rated Current	800	A
Creepage Distance	1980±50	mm
Creepage Distance Protected	775	mm
Mass	28	kg

Ordering Data:

BUSHING	LF123177-K	COLOUR AIR INSULATOR	BROWN
	-L		LIGHT GREY
OUTER TERMINAL	LF 170 002-A		Cu, Ø30, L=125
	LF 170 001-A		Al, Ø30, L=125
OTHER TYPES ON REQUEST			
INNER TERMINAL FOR STRANDED CABLE			
For brazing		Conductor area	D1
LF 170 011-S		up to 150mm ²	Ø18
LF 170 011-U		Undrilled with pilot hole Ø5	
For crimping or brazing		Conductor area	D1
LF 170 010-M		50mm ²	Ø11
LF 170 010-N		70mm ²	Ø13
LF 170 010-L		95mm ²	Ø15
SOLID ROD CONNECTOR			
LF 170 019 -AN for Alt.1			
N/A for Alt.2			

ABB Components		Luhua, Sweden	
No.	Urduy	kV	A 50/60 Hz
LI, SI, AC	kg	L	mm
M	pf	Tan δ	z
C1	pf	Tan δ	z
C2	pf	Tan δ	z

Based on	Reg. No.
Prepared	Responsible department
LÖVNRD	COM/BK
Approved	Take over department
Johansson	Database
Design engineering review	
Hedlund	

Title	Language
GOB 325-800-0	82
WITH OIL LEVEL GAUGE	Page
SHORT END SHIELD	I(1)
Document No.	
2751369-181	

ABB ABB Components

We reserve all rights in this document and in the information contained therein. Reproduction, use or disclosure to third parties without express authority is strictly forbidden. ©ABB