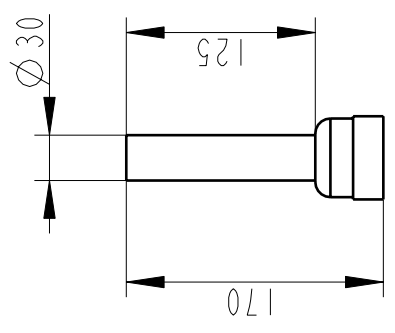
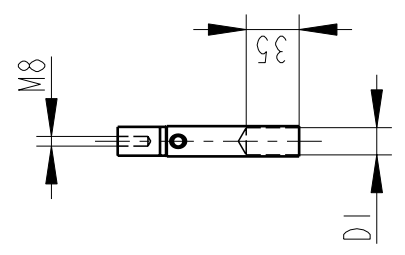


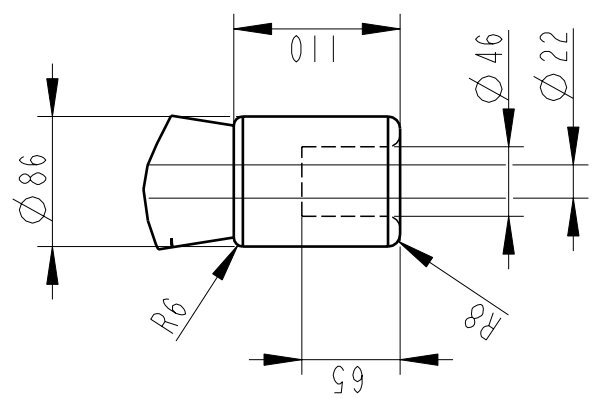
**OUTER TERMINAL**



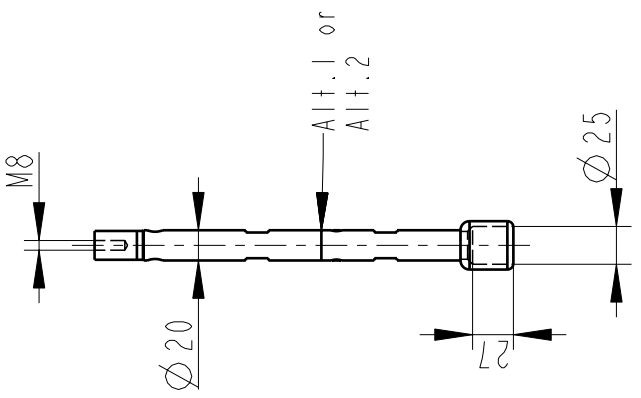
**INNER TERMINAL FOR STRANDED CABLE**



**END SHIELD**



**SOLID ROD CONNECTOR**



The solid rod can be divided either:  
 Alt. 1: 20mm below the bushing flange or  
 Alt. 2: 20mm below the upper end of the bottom porcelain

**Bushing Data:**

Rated Voltage	72.5	kV
Phase to Ground Voltage	72.5	kV
Dry Lightning Impulse 1,2/50µs	350	kV
Wet power frequency AC	140	kV
Routine test Imin dry 50Hz	160	kV
Rated Current	800	A
Creepage Distance	1980±50	mm
Creepage Distance Protected	775	mm
Mass	32	kg

**Ordering Data:**

<b>BUSHING</b>	COLOUR AIR INSULATOR
LF123179-M	BROWN
-N	LIGHT GREY
<b>OUTER TERMINAL</b>	
LF 170 002-A	Cu, Ø30, L=125
LF 170 001-A	Al, Ø30, L=125
OTHER TYPES ON REQUEST	
<b>INNER TERMINAL FOR STRANDED CABLE</b>	
<b>For brazing</b>	Conductor area
LF 170 011-S	up to 150mm <sup>2</sup> Ø18
LF 170 011-U	Undrilled with pilot hole Ø5
<b>For crimping or brazing</b>	Conductor area
LF 170 010-M	50mm <sup>2</sup> Ø11
LF 170 010-N	70mm <sup>2</sup> Ø13
LF 170 010-L	95mm <sup>2</sup> Ø15
<b>SOLID ROD CONNECTOR</b>	
LF 170 019 -AU for Alt.1	
LF 170 019 -AV for Alt.2	

<b>ABB Components</b>		Luvia, Sweden	
No.	Unit	kV	A 50/60 Hz
LI	SI / AC	mm	V
M	kg	L	mm
CI	pf	Tan δ	z
C2	pf	Tan δ	z

Based on	Reg. No.
Prepared	Responsible department
Lövnord	COM/BK
Approved	Take over department
Johansson	Database
Design engineering review	
Hedlund	

Title	Language
GOB 325-800-0.3	82
WITH OIL LEVEL GAUGE	Page
LONG END SHIELD	I(1)

Document No.	2751369-184
--------------	-------------

We reserve all rights in this document and in the information contained therein. Reproduction, use or disclosure to third parties without express authority is strictly forbidden. ©ABB